

Digital Position Indicator DE09

Freely programmable electronic position indicator for recording absolute values (battery backup). As a consistent further development of the bestselling mechanical position indicator worldwide, the DA09S, it opens up even more variable areas of use.

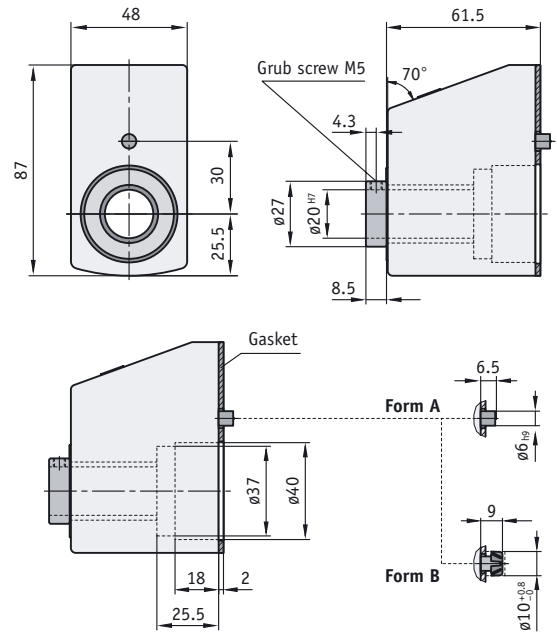


Features:

- resolution 0.01 mm, pitches up to 10 mm
- absolute display with arithm. sign for negative values
- possible angle display (resolution 0.5°)
- incremental function (relative measurement)
- battery-operated (~6 years)
- through hollow shaft

Accessories:

- programming software PROSO DE09
It enables free programming of the parameters for spindle pitch, sense of rotation and comma position.



Display	Mounting position				Counting direction

For the DE09, suitable reduction sleeves and an axial seal are available (see Accessories)

Feature	Ordering data	Technical data	Additional information
Counter		LCD, 5-digit (7 mm)	
Display range		-9999 ... 99999 (absolute) -9999 ... 9999 (relative)	
Battery		lithium cylindric cell 3 V, type CR 17335, service life ~6 years plastic, glass-fibre reinforced, PPO GFN 2	
Weight		0.170 kg	
Hollow shaft		20 ^{H7} , on plain bearing	
Velocity (rev/min)		max. 600 (100 % ED)	
Shaft load		max. 20 N radial, 10 N axial	
Operating temperature		+5 ... +50 °C	
Storage temperature		-20 ... +70 °C	
Vibration resistance		10 g (5 ... 150 Hz) – acc. to DIN IEC 68-2-6 20 g (100 ... 2.000 Hz)	
Shock resistance		30 g (15 ms) – acc. to DIN IEC 68-2-27	
Interference resistance		interference prot. class 3 – acc. to DIN IEC 801-3	
Test mark		CE mark	

Ordering data

Version/mounting position	02 04 06 07	A		see the icons on the product page showing the mounting position
Display after the first revolution	5 - 1080 1080 - 2160 3600	B	one digit step by step two digits step by step angle mode, resolution 0.5°	customer-specific programming is indicated by the order character "B"
Comma position	0 1 2 3 4	C	0 = 00000 1 = 0000.0 2 = 000.00 3 = 00.000 4 = 0.0000	
Incremental function	OK K	D	without incremental function with incremental function	
Counting direct. = ascending values	i e	E	ascending values clockwise ascending values counter-clockwise	
Hollow-shaft diameter	...	F	20 RH08, RH10, RH12, RH14, RH18	reduction sleeve
Colour	S R	G	black red	standard
Torque pin/form	A B	I	form A form B	standard
Axial seal	OAD AD	K	without axial seal with axial seal	standard see "Important information in advance"
Front foil	SL	L	front foil with SIKO Logo	standard

Your order:

DE09	-	A	-	B	-	C	-	D	-	E	-	F	-	G	-	H	-	I	-	K	-	L
------	---	----------	---	----------	---	----------	---	----------	---	----------	---	----------	---	----------	---	----------	---	----------	---	----------	---	----------