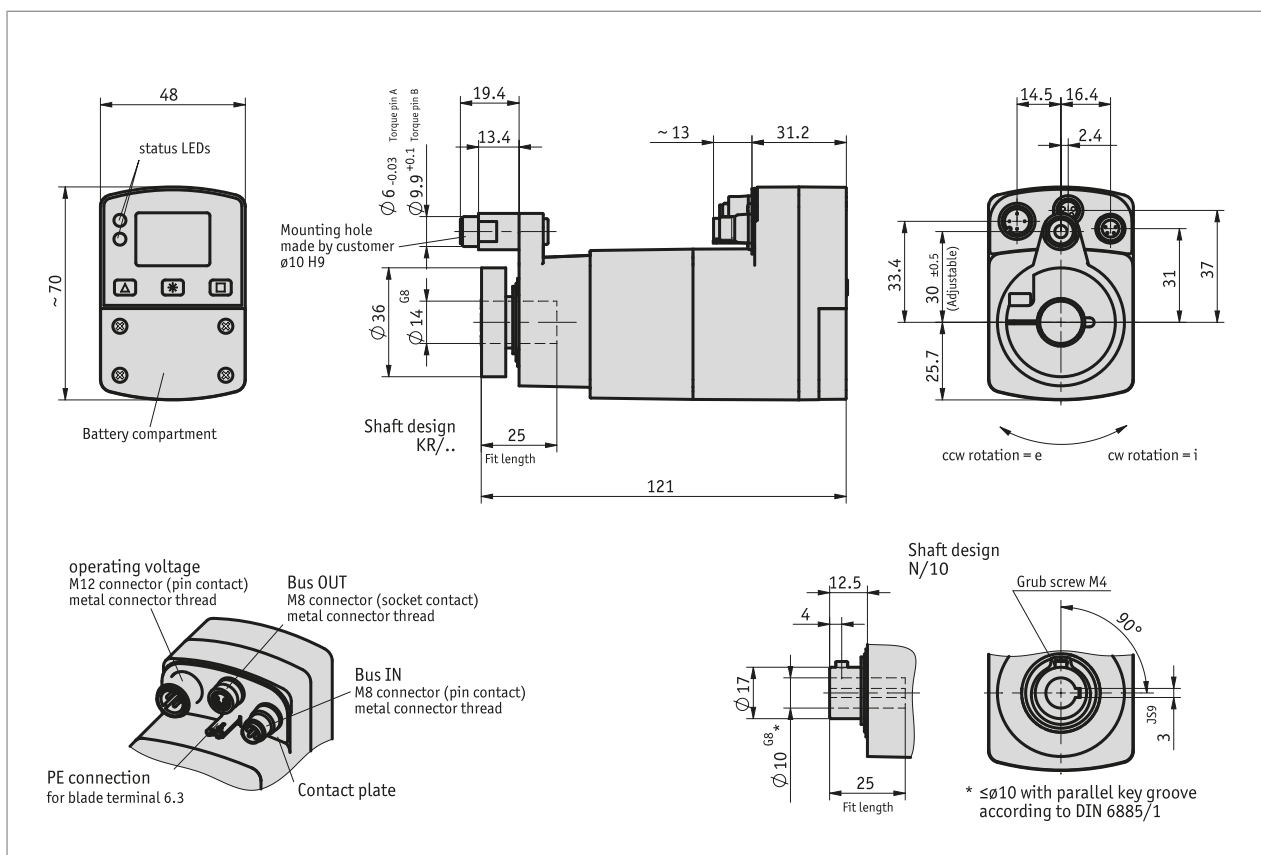


Profile

- easy mounting, no additional coupling needed
- stainless steel 14 mm hollow shaft, glass fibre reinforced casing
- brushless 24 VDC motor with long service life
- solid absolute sensor, magnetic sensing technology
- 2-line LCD for target and position value and operating keys
- 2 LEDs for user guidance
- integrated RS485 or CANopen interface
- Integrated positioning controller
- M8 + M12 component mounting technology
- Industry 4.0 ready



Mechanical data

Feature	Technical data	Additional information
shaft	rustproof stainless steel	
Housing	glass-fiber reinforced plastic	
clamping ring	rustproof stainless steel	
Torque pin	rustproof stainless steel	form A
	rustproof stainless steel	form B
Nominal torque/rated speed	3 Nm at 75 min ⁻¹ $\pm 10\%$	i = 66
	5 Nm at 50 min ⁻¹ $\pm 10\%$	i = 98
Operating mode	S3 intermittent operation: 25 % DC, 10 min.	EN 60034-1
Weight	~0.45 kg	

Electrical data

Feature	Technical data	Additional information
Operating voltage	24 V DC $\pm 10\%$	reverse polarity protected, output stage
	24 V DC $\pm 10\%$	reverse polarity protected, control
Power input	≤ 58 W	output stage
	≤ 1.6 W	control
Battery	CR2477N, 3 V lithium, 950 mAh	
Battery service life	~ 5 Year(s)	depending on ambient conditions
Parameter storage	10^6 cycles	also applies to calibration operations
Rated current	2.2 A $\pm 10\%$	at max. adm. torque (output stage)
	< 60 mA $\pm 10\%$ at 24 V DC (control)	
Display/display range	5-digit LCD 7-segment, ~ 7 mm height	decimal points, 2 rows, special characters
Special character	battery, direction arrows	
Status display	2 LEDs	
Keys	parameterizing, resetting, inching, setpoint definition	
Bus connection	RS485, CANopen	no galvanic isolation
Type of connection	1x M12-plug connector (A-coded)	4-pole, 1x pin
	2x M8 plug connectors (A-coded)	4-pole, 1x socket, 1x pin
	grounding via flat connector 6.3 mm	

System data

Feature	Technical data	Additional information
Resolution	720 Increments/revolution, shaft	
Repeat accuracy	± 1 Increment(s)	
Travel range	± 1980 rotation(s)	i = 66
	± 1300 rotation(s)	i = 98
Failure rate	31 Year(s)	CAN, at 60° C (MTBF) according to SN 29500
	31.3 Year(s)	S3/09, at 60° C (MTBF) according to SN 29500

Ambient conditions

Feature	Technical data	Additional information
Ambient temperature	0 ... 45 °C	
Storage temperature	-20 ... 60 °C	
Relative humidity		condensation inadmissible
EMC	EN 61800-3, second environment	interference resistance / immission
	EN 61800-3, C3	emitted interference / emission
Protection category	IP54, IP65	EN 60529, only with mating connector
Shock resistance	500 m/s ² , 11 ms	EN 60068-2-27
Vibration resistance	≤ 100 m/s ² , 5 ... 150 Hz	EN 60068-2-6

pin assignment

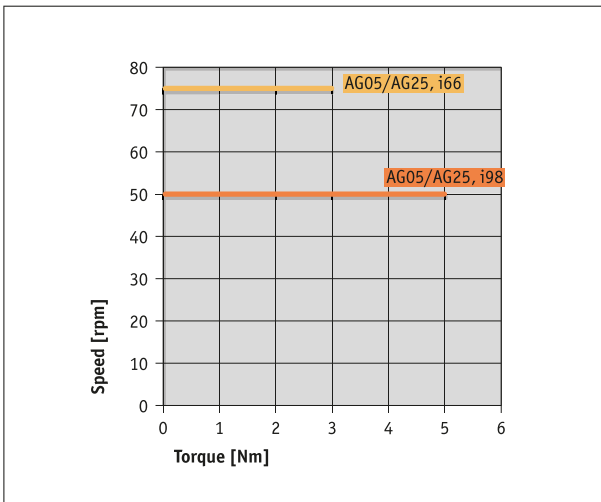
■ Operating voltage M12 (A-coded)

Signal	PIN
+24 V Power/output stage	1
+24 V Control	2
GND power/output stage	3
GND control	4

■ Interfaces M8

Signal	PIN
TxRx-/DÜB	1
TxRx+/DÜA	2
nc	3
GND	4

Performance curve



Industry 4.0

In most cases, data exchange with the actuators is limited to the exchange of process data. In addition to the process data, intelligent drives provide additional information that can be evaluated for condition monitoring up to predictive maintenance:

Process data	Smart Value	Smart Function
Actual position	Temperature	Overload, ambient temperature
"Target position"	current	Torque, overload
Speed	Volatage load Voltage control	Voltage drop, line break
	On/Off time	Operating time
	Battery voltage	Battery change planning

Order

Ordering table

Feature	Ordering data	Spezifikation	Additional information
Gear ratio	A 66 98	i = 66 i = 98	
Protection category	B IP54 IP65	IP54 IP65	
shaft design/diameter	C KR/14 N/10	clamping ring ø14 mm keyway, ø10 mm others on request	
Torque pin	D A B	bolt, ø6 mm bolt, ø10 mm	
interface/protocol	E S3/09 CAN	RS485/SIKONETZ5 CANopen	

Order key



**Scope of delivery:**

AG05, Quick Start Guide

**Accessories you can find:**

Easy touch control ETC5000	www.siko-global.com
Cable extension KV04S1	www.siko-global.com
Cable extension KV04S2	www.siko-global.com
Programming software ProTool DL	www.siko-global.com
Angular gear WG05	www.siko-global.com
Overview, Mating connector	www.siko-global.com
Mating connector, Operating voltage, 4-pole, angle socket	Order key 83091
Mating connector, Fieldbus IN, 4-pole, socket	Order key 84209
Mating connector, Fieldbus OUT, 4-pole, pin	Order key 84210
Bus terminating connector, fieldbus, 4-pole, pin	Order key BAS-0005