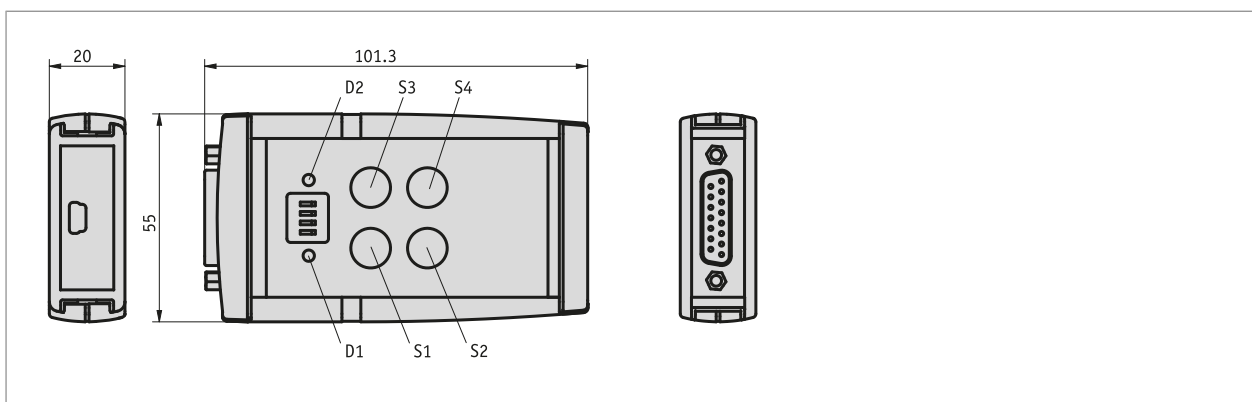


Profile

- USB converter-adaptor (FTDI-chipset) to RS485, RS232, TTL
- easy connection of SIKO service interface or serial interface to a USB port
- four buttons and sliding switch for simulating external device periphery
- Function and status display LEDs
- Windows-compatible - plug & play



Mechanical data

Feature	Technical data	Additional information
Housing	plastic	
Color	agate gray, RAL 7038	
Cable length	1.8 m	USB 2.0 A connector - USB 2.0 mini-B connector
	0.3 m, USB 2.0, mini-B	cable adapter D-SUB socket, 15-pole, appliance inlet according to order key

Electrical data

Feature	Technical data	Additional information
Operating voltage	via USB or terminal	
Type of connection	USB 2.0, mini-B	bushing
	D-SUB 15-pole	connector

Ambient conditions

Feature	Technical data	Additional information
Ambient temperature	0 ... +40 °C	
Protection category	IP20	

pin assignment

Signal	PIN
S4	1
S1	2
S2	3
S3	4
+UB*	5
TTL TX	6
TTL RX	7
nc	8
GND	9
RS232 TXD	10
RS232 RXD	11
RS485 A	12
RS485 B	13
nc	14
+UB*	15

Order

■ Ordering table

Feature	Ordering data	Spezifikation	Additional information
Cable adaptor	A	M12/RS232	for AG2X
		M16/RS232	for AG02-S1/00
		M16/RS485	for AG02-S3/00
		M8/RS485	for AG05, AG06
		MM/TTL	for AG03/1, AG04B

■ Order key

AIF01 -



Scope of delivery:

AIF01, Software on CD, USB programming cable, Cable adaptor



Accessories you can find:

Cable adaptor, M12/RS232, AG2XP	Order key 87892
Cable adaptor, M16/RS232, AG02-S1/00	Order key 87893
Cable adaptor, M16/RS485, AG02-S3/00	Order key 87894
Cable adaptor, M8/RS485, AG05, AG06	Order key 87895
Cable adaptor, MM/TTL, AG03/1, AG04B	Order key 87896