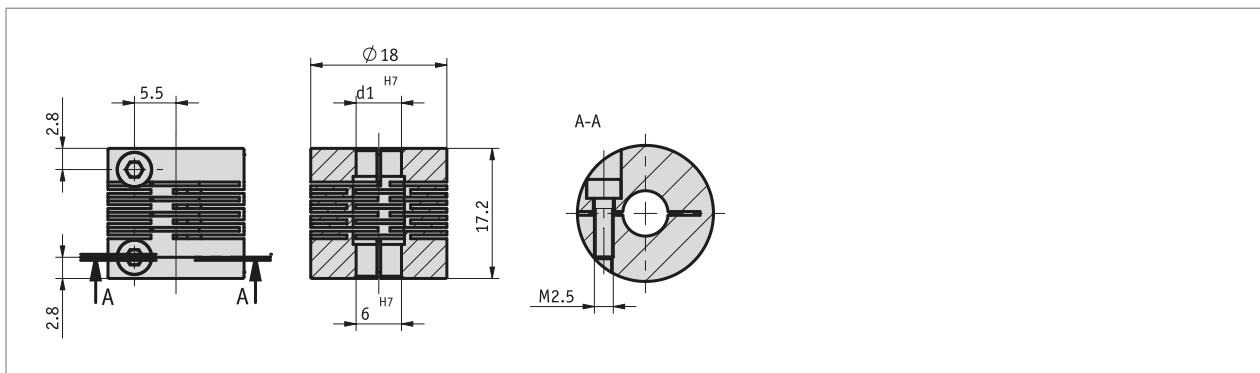
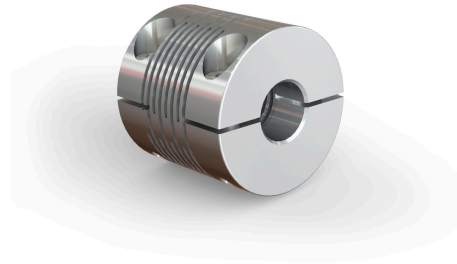


Profile

- Backlash-free compensation of mechanical manufacturing tolerances



Mechanical data

Feature	Technical data	Additional information
Bore diameter	6 mm	d1
Material	aluminum	
Offset	≤0.1 mm	radial and axial
Speed	≤25000 min ⁻¹	

Order

- Order key

AK18 - 6 - 6