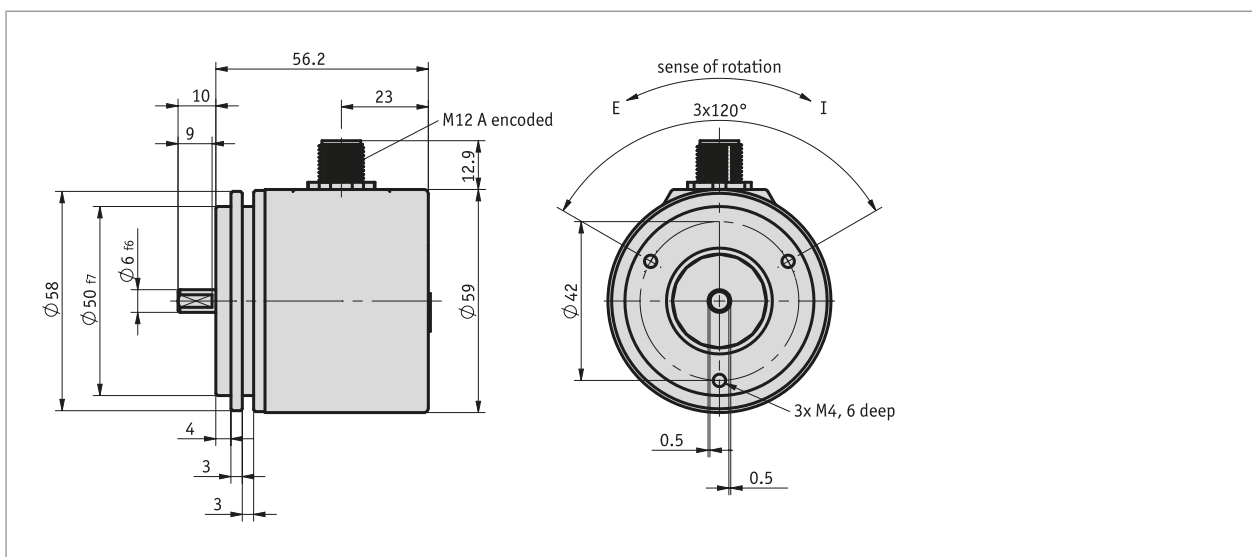


Profile

- Absolute analog encoder
- 13 Bit (8192) resolution over the measuring range
- Operating temperature until -40 °C
- Voltage (0 ... 10 V, 0.5 ... 4.5 V), current (0 ... 20 mA) outputs
- Programmable measuring range via teach-in function with key function or external inputs

ANALOG



Mechanical data

Feature	Technical data	Additional information
shaft	rustproof stainless steel	
Housing	nickel-plated steel	
Speed	≤12000 min ⁻¹	
Moment of inertia	≤20 gcm ²	
Starting torque	≤2 Ncm at 25 °C	
Shaft load rating	20 N, axial 80 N, radial	
Weight	~0.15 kg	

Electrical data

■ Transducer, power output

Feature	Technical data	Additional information
Operating voltage	8 ... 32 V DC	4 ... 20 mA
Current consumption	20 mA @ 24 V (idling) typical	without load
Linearity	0.15 %	
Load	<500 Ω at ≥ 15 V DC	4 ... 20 mA
Accuracy	±0.09 °	
Starting time	<500 ms	
Settling time	32 ms	
Type of connection	1x M12-plug connector (A-coded)	5-pole, 1x pin

■ Transducer, voltage output

Feature	Technical data	Additional information
Operating voltage	8 ... 32 V DC	0 ... 10 V
	8 ... 32 V DC	0.5 ... 4.5 V
Current consumption	15 mA, typical	without load
Linearity	0.15 %	
Load	>10 kΩ at ≥ 12 V DC	0 ... 10 V, 0.5 ... 4.5 V
Accuracy	±0.09 °	
Starting time	<500 ms	
Settling time	32 ms	
Type of connection	1x M12-plug connector (A-coded)	5-pole, 1x pin

System data

Feature	Technical data	Additional information
Resolution	13 bit, (output)	over the programmed measuring range
Measuring range	≥11.5 °	
	65536 rotation(s)	
	16 rotation(s)	factory setting

Ambient conditions

Feature	Technical data	Additional information
Ambient temperature	-40 ... 85 °C	
Storage temperature	-40 ... 85 °C	
Relative humidity	98 %	condensation inadmissible
EMC	EN 61000-6-2	interference resistance / immission
	EN 61000-6-4	emitted interference / emission
Protection category	IP66, IP67 (housing side)	EN 60529
	IP65 (shaft side)	EN 60529
Shock resistance	≤1000 m/s ² , 6 ms	EN 60068-2-27
Vibration resistance	≤100 m/s ² , 10 ... 1 kHz	EN 60068-2-6

pin assignment

Signal	PIN
Iout/Uout	1
+UB	2
GND	3
"Limit 2"	4
Limit 1	5

Order

■ Ordering table

Feature	Ordering data	Spezifikation	Additional information
Interface	A	0 ... 10 V	
		0.5/4.5V	0.5 ... 4.5 V
		4/20mA	4 ... 20 mA

■ Order key

AV58M - A - 6 - M12

**Scope of delivery:**

AV58M

**Accessories you can find:**

Flexible coupling AK18

Cable extension KV05S0

Servo clamp SK

Overview Mating connector

Mating connector, 5-pole, angle socket

Mating connector, 5-pole, socket

www.siko-global.comwww.siko-global.comwww.siko-global.comwww.siko-global.com

Order key 83006

Order key 84109