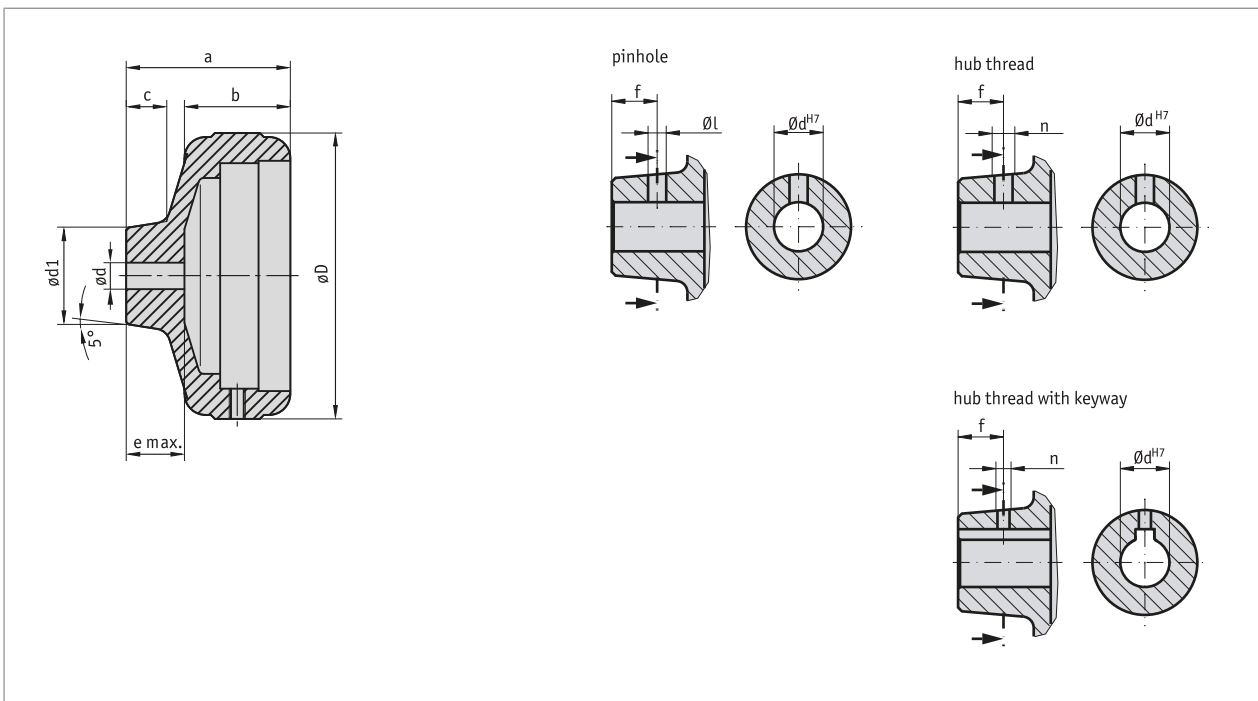


Profile

- Premium knurled aluminum handwheel
- Compact design
- Surface plastic-coated, anodized or bright-finished
- Various hub versions



Mechanical data

| Feature | Technical data | Additional information |
|----------|----------------|------------------------|
| Material | aluminum | |
| Weight | 0.3 kg | HR6 |

■ Dimensions

| øD | ødv | ødx | ød1 | a | b | c | e | Suitable for |
|----|-----|-----|-----|----|----|----|----|--------------|
| 65 | 5.8 | 20 | 30 | 50 | 35 | 15 | 20 | S50/1 |

ødv = d pre-drilled; ødx = d max.

■ special processing

| Handwheel type | HR6 | | | | |
|-------------------------------|---------|--------|--------|-----------|-----------|
| Bore dH7 | 6 ... 8 | 9, 10 | 11, 12 | 13 ... 16 | 17 ... 20 |
| Groove width with keyway JS9 | | 3 | 4 | 5 | |
| Pin hole | 3.8/10 | 3.8/10 | 3.8/10 | 4.8/10 | |
| Hub thread without keyway JS9 | M4/10 | M4/10 | M4/10 | M6/10 | |
| Hub thread with keyway JS9 | | M3/10 | M3/10 | M4/10 | |

Highlights in orange are order features.

Order

■ Ordering table

| Feature | Ordering data | Spezifikation | Additional information |
|--------------------|-------------------|---|--|
| surface | A B | unpainted others on request | |
| Bore diameter | B 5.8 ... | prebored 06 ... 20 mm, in steps of 1 mm | see Table of dimensions, maximum value ødx |
| feather key groove | C OP JS9 P9 | without feather key groove Light fit Tight fit | according to DIN 6885/1 T1 according to DIN 6885/1 T1 |
| Pinhole | D OS ... | without pin hole "diameter "øL"/measure "f" (e.g. 3.8/12)" others on request | see Table of dimensions; value GfG |
| hub thread | E ONG | without hub thread others on request | |
| tapered hub | F OAN ... | without twisted hub Thread "n"/dimension "f" (e.g., M4/10)" others on request | "see table Special processing, depending on the handwheel type, only if pin hole is "OS" " |
| position indicator | G PM PS | Position indicator mounted Separate position indicator | separate ordering of a position indicator required! separate ordering of a position indicator required! |

■ Order key

HR6 - - - - - - -



Scope of delivery:

HR6



Accessories you can find:

Analog position indicator S50/1
End plate AD

www.siko-global.com
www.siko-global.com