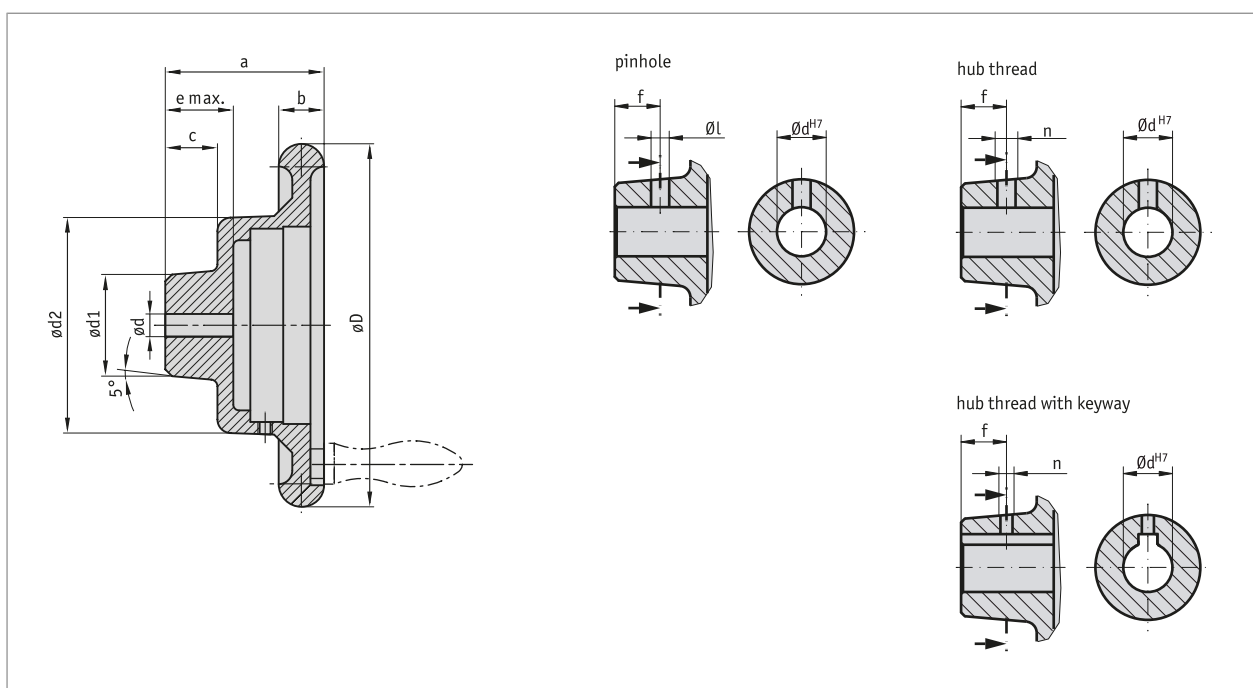


Profile

- Robust handwheel made of aluminum casting
- Rounded design with dirt corners minimized
- Plastic-coated or bright-finished surface
- Various hub versions
- Turning handle as an option (see accessories)



Mechanical data

Feature	Technical data	Additional information
Material	aluminum	
Weight	0.6 kg	HS14

■ Dimensions

øD	ødv	ødx	ød1	ød2	a	b	c	e	GfG	Suitable for
140	6.8	20	32	95	70	18	23	29	M8	S80/1; SZ80/1

dv = d pre-drilled; dx = d max.; GfG = thread for handle

■ special processing

Handwheel type	HS14				
Bore dH7	7, 8	9, 10	11, 12	13 ... 17	18 ... 20
Groove width with keyway JS9		3	4	5	
Pin hole	3.8/12	3.8/12	3.8/12	4.8/12	4.8/12
Hub thread without keyway JS9	M4/12	M4/12	M4/12	M6/12	M6/12
Hub thread with keyway JS9		M3/12	M3/12	M4/12	

Highlights in orange are order features.

