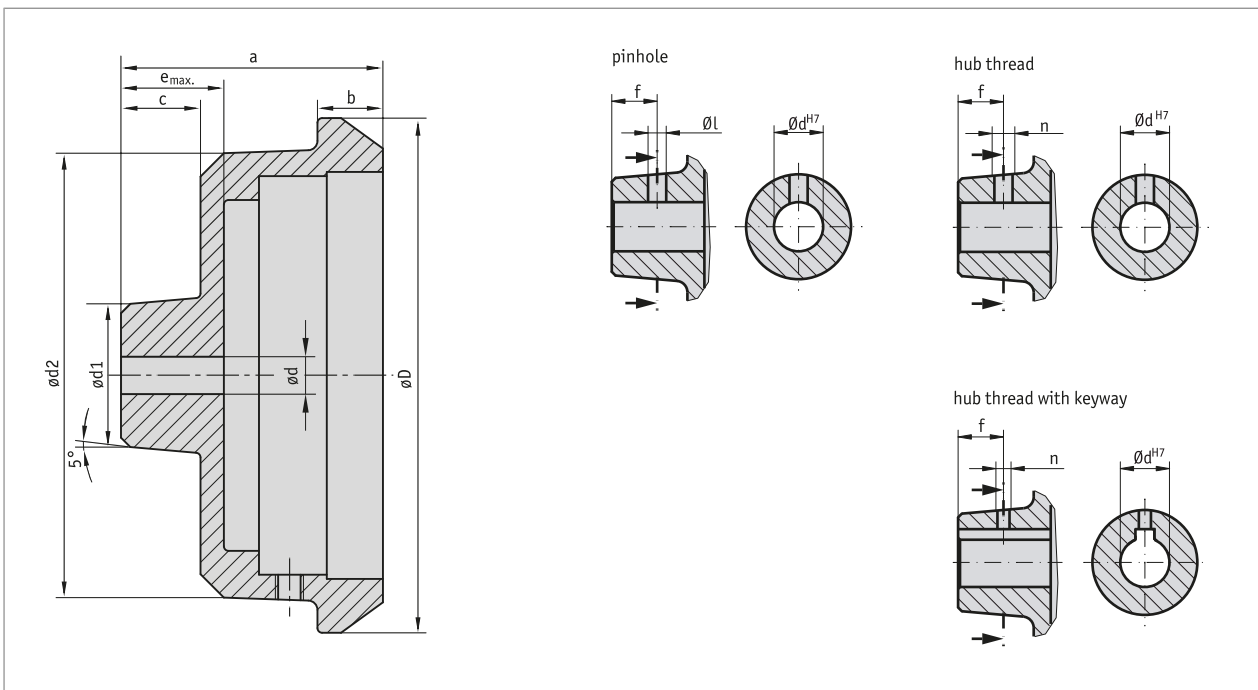


Profile

- Plastic-coated or bright-finished surface
- Various hub versions



Mechanical data

| Feature | Technical data | Additional information |
|----------|----------------|------------------------|
| Material | aluminum | |
| Weight | 0.5 kg | HST11 |

■ Dimensions

| øD | ødv | ødx | ød1 | ød2 | a | b | c | e | Suitable for |
|-----|-----|-----|-----|-----|----|----|----|----|---------------|
| 110 | 6.8 | 16 | 30 | 95 | 56 | 14 | 17 | 22 | S80/1; SZ80/1 |

ødv = d pre-drilled; ødx = d max.

■ special processing

| Handwheel type | HST11 | | | | |
|-------------------------------|--------|--------|--------|-----------|--------|
| Bore dH7 | 7, 8 | 9, 10 | 11, 12 | 13 ... 15 | 16 |
| Groove width with keyway JS9 | | 3 | 4 | 5 | 5 |
| Pin hole | 3.8/12 | 3.8/12 | 3.8/12 | 4.8/12 | 4.8/12 |
| Hub thread without keyway JS9 | M4/12 | M4/12 | M4/12 | M6/12 | M6/12 |
| Hub thread with keyway JS9 | | M3/12 | M3/12 | M4/12 | |

Highlights in orange are order features.

Order

■ Ordering table

| Feature | Ordering data | Spezifikation | Additional information |
|--------------------|---------------|---------------|---|
| surface | A | B | unpainted |
| | | CS | plastic-coated, black matt |
| | | | others on request |
| Bore diameter | B | 6.8 | prebored |
| | | ... | 07 ... 18 mm, in steps of 1 mm |
| feather key groove | C | OP | without feather key groove |
| | | JS9 | Light fit |
| | | P9 | Tight fit |
| Pinhole | D | OS | without pin hole |
| | | ... | Diameter "ø"/dimension "f" (e.g., 3.8/12)" |
| | | | others on request |
| hub thread | E | ONG | without hub thread |
| | | ... | Thread "n"/dimension "f" (e.g., M4/12)" |
| | | | others on request |
| tapered hub | F | OAN | without twisted hub |
| | | | others on request |
| position indicator | G | PM | Position indicator mounted |
| | | PS | Separate position indicator |
| | | | separate ordering of a position indicator required! |
| | | | separate ordering of a position indicator required! |

■ Order key

HST11 - - - - - - -

A B C D E F G



Scope of delivery:

HST11



Accessories you can find:

Analog position indicator S80/1
Analog position indicator SZ80/1

www.siko-global.com
www.siko-global.com