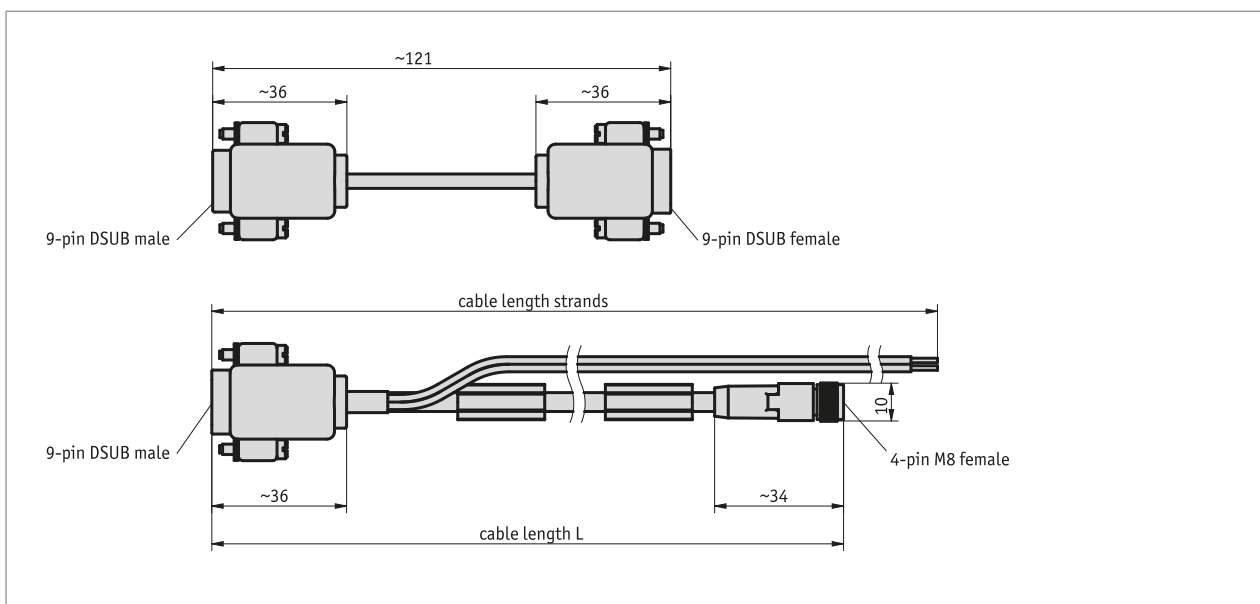
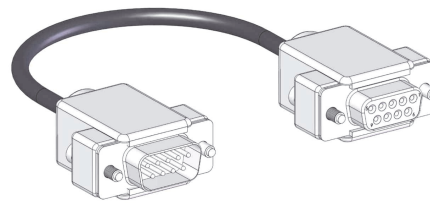


### Profile

- Accessories for the interface converter for SIKONETZ5 devices
- integrated level specification for the RS485 network
- with 24 V supply as an option
- 9-pole DSUB pin/socket or 9-pole DSUB pin/4-pole M8 socket



### Mechanical data

Feature	Technical data	Additional information
Cable sheath	PUR	

### Ambient conditions

Feature	Technical data	Additional information
Ambient temperature	-30 ... 90 °C	

### pin assignment

#### ■ 9-pole DSUB socket

Signal	PIN
nc	1
nc	2
nc	3
nc	4
SGND	5
nc	6
nc	7
TxRx+	8
TxRx-	9

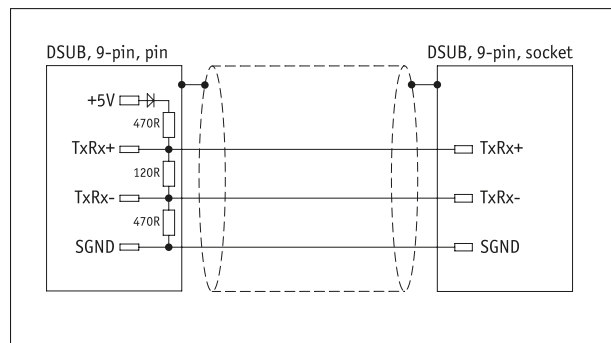
#### ■ 4-pole M8 socket

Signal	PIN
TxRx-/DUB	1
TxRx+/DUA	2
+UB	3
GND	4

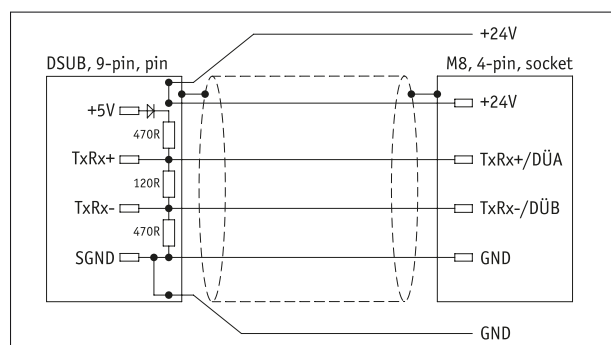
#### ■ litz wires

Signal	Color
+24 V	red
GND	black

#### ■ 9-pole DSUB socket



#### ■ 4-pole M8 socket



## Order

#### ■ Ordering table

Feature	Ordering data	Spezifikation	Additional information
Cable length	<b>A</b> 00.2	0.2 m others on request	
Type of connection	<b>B</b> DSUB/DSUB DSUB/M8	DSUB on DSUB DSUB on M8	
cable length strands	<b>C</b> 0 00.5	without 0.5 m	

#### ■ Order key

KA485BAS -  -  -

 Scope of delivery:  
KA485BAS