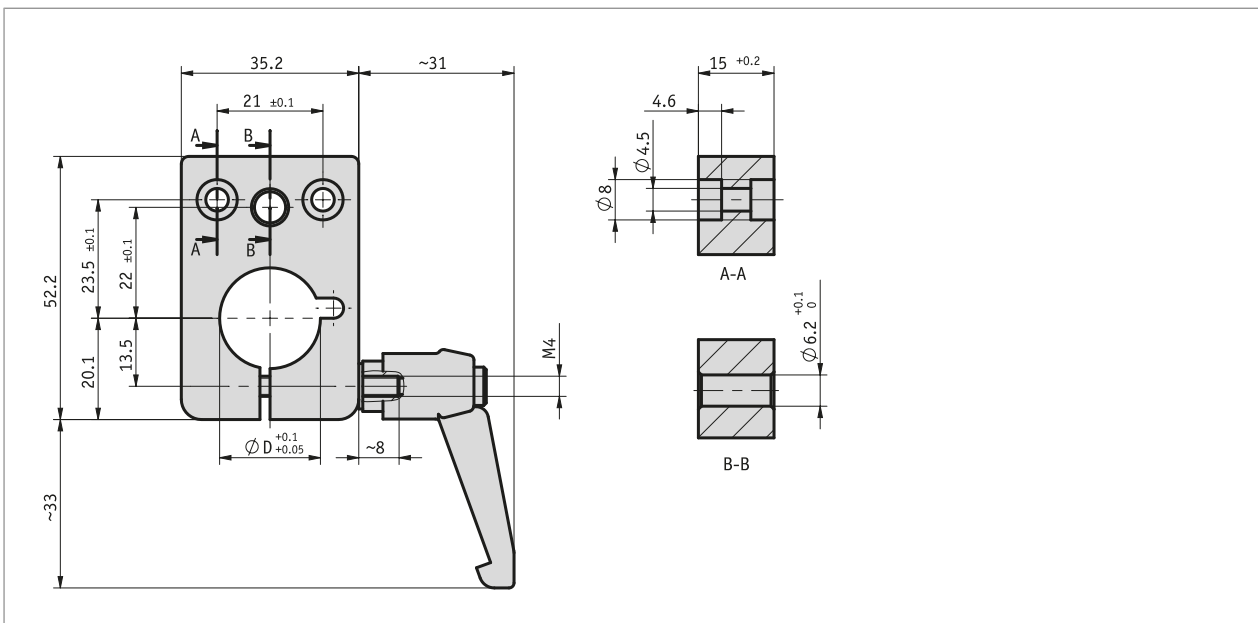


Profile

- Contour matching with DE04, AP04 position indicators
- For shaft diameters 10 ... 20 mm
- Lateral position of the clamping lever
- Easy mounting and retrofitting



Mechanical data

Feature	Technical data	Additional information
Housing	anodized aluminum	
Clamping lever	plastic, engaging	
Weight	~0.06 kg	

Order

■ Ordering table

Feature	Ordering data	Spezifikation	Additional information
Bore diameter	A ...	10, 12, 14, 20 in mm others on request	

■ Order key

KPE04 - A - I - A - KH