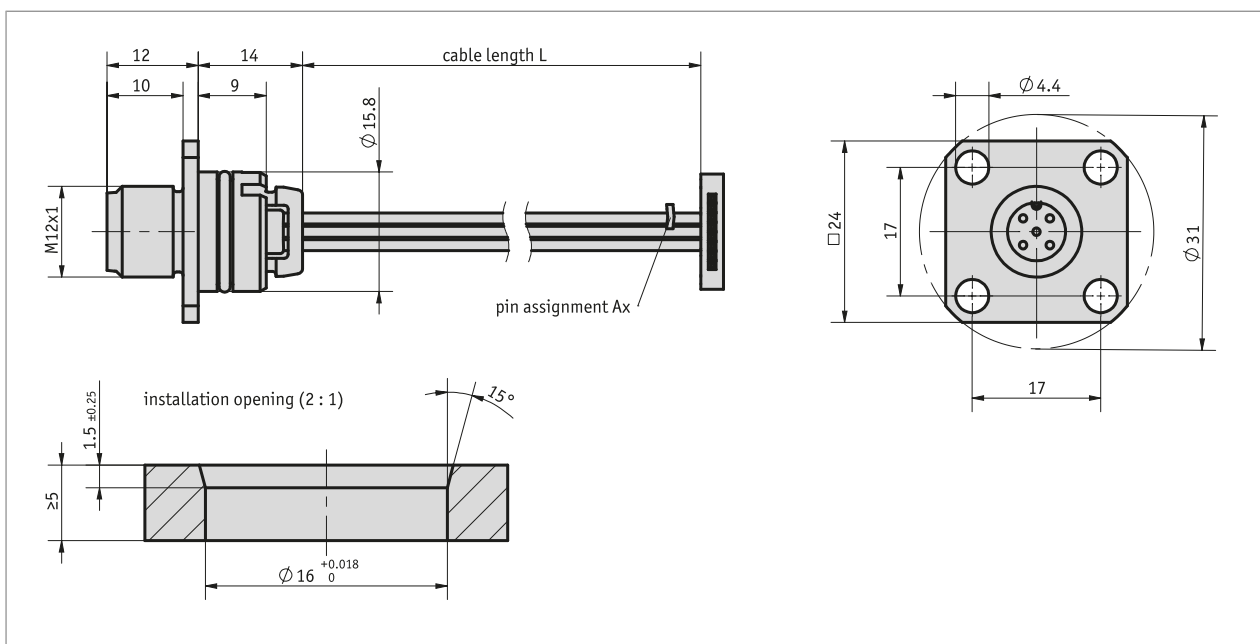
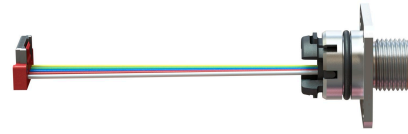


Profile

- Connector system for SGH wire-actuated encoders
- Time-saving, faultless and easy mounting
- IP6K9K protection class
- extensive temperature range -40 ... 105° C
- Connection technology M12 (A-coded), 5-pole



Mechanical data

Feature	Technical data	Additional information
Housing	brass, nickel-plated	CuZn
	rustproof stainless steel	V4A, 1.4401 not coated
Cable sheath	ETFE	5x 0.17 mm ² , 5x Ø1.03 mm

Ambient conditions

Feature	Technical data	Additional information
Ambient temperature	-40 ... 105 °C	temperature range of the line (inactive)
Protection category	IP6K9K	ISO 20653, in the installed state with suitable mating connector

pin assignment

■ Connection assignment A1

Analog signal	PIN
I _{OUT} /U _{OUT}	1
+UB	2
GND	3
Limit 1	4
"Limit 2"	5

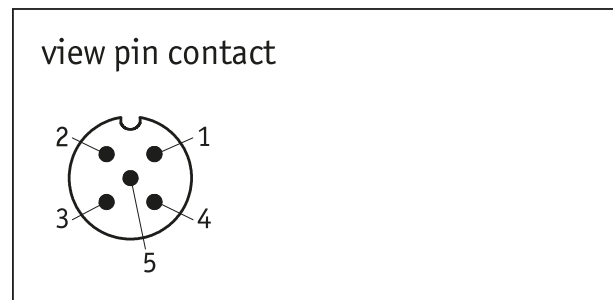
■ Connection allocation A2

Analog signal	PIN
+UB	1
Limit 1	2
GND	3
I _{OUT} /U _{OUT}	4
"Limit 2"	5

Signal CANopen, SAE J1939	PIN
CAN_GND	1
+UB	2
GND	3
CAN_H	4
CAN_L	5

Signal CANopen, SAE J1939	PIN
+UB	1
CAN_H	2
GND	3
CAN_GND	4
CAN_L	5

■ Connection assignment A1 and A2



Order

■ Ordering table

Feature	Ordering data	Spezifikation	Additional information
pin assignment	A A1	see "Connection assignment" table	
	A A2	see "Connection assignment" table	
Cable length	B ...	06.5, 20.0, 30.0, 40.0	
Housing	C CuZn	brass, nickel-plated	
	C V4A	rustproof stainless steel	

■ Order key



 Scope of delivery: KV1H
