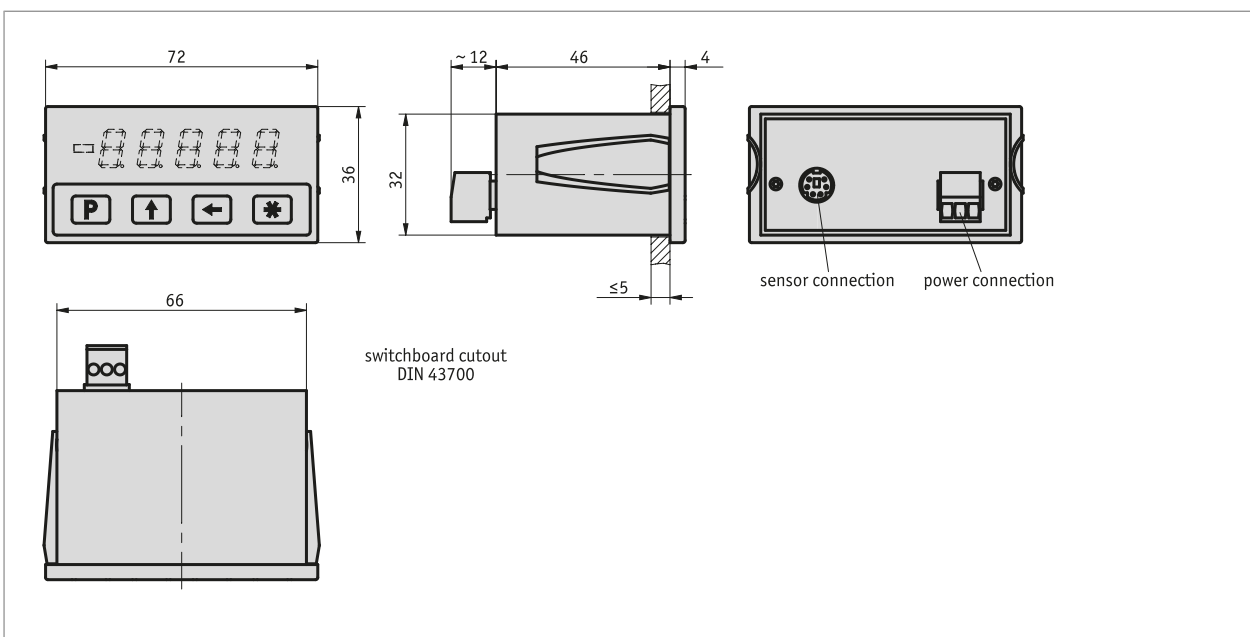


# Measurement display MA506

incremental, LED display, display accuracy 10 μm

## Profile

- Display accuracy max. 10 μm
- Repeat accuracy max. ±0.01 mm
- Incremental measurement and reset function
- Direct reference/offset value input
- Reference input
- Works with sensor MS500



## Mechanical data

Feature	Technical data	Additional information
Housing design	built-in housing, plastic (transparent red)	Control panel excerpt 68 <sup>+0.7</sup> x 33 <sup>+0.6</sup> IEC 61554

## Electrical data

Feature	Technical data	Additional information
Operating voltage	24 V DC ±20 %	
Current consumption	<60 mA at 24 V DC	
Display/display range	5-digit, LED 7-segment, 10 mm height red	-99999 ... 99999
Type of connection	screw terminal strip	3-pole (supply)
	mini-DIN	6-pole, 1x socket (MS500 sensor)

### System data

Feature	Technical data	Additional information
Resolution	0.01, 0.05, 0.1, 1 mm 0.001, 0.01 in	programmable angle display
System accuracy	$\pm(0.1 + 0.01 \times L)$ mm, L in m at $T_U = 20^\circ\text{C}$	
Repeat accuracy	$\pm 0.01$ mm	$\pm 1$ digit
Travel speed	$\leq 5$ m/s	

### Ambient conditions

Feature	Technical data	Additional information
Ambient temperature	0 ... 50 °C	
Storage temperature	-20 ... 85 °C	
Relative humidity	$\leq 95\%$	condensation inadmissible
EMC	EN 61000-6-2 EN 61000-6-4	interference resistance / immission emitted interference / emission
Protection category	IP40 whole device IP60 at the front with switchboard installation	EN 60529 EN 60529

### pin assignment

Signal
GND
+UB
Reset

### Order

#### ■ Ordering information

One or more system components are required:

Magnetic sensor MS500

[www.siko-global.com](http://www.siko-global.com)

#### ■ Order key

MA506 - EG - 4 - S - OS



#### Scope of delivery:

MA506, Installation Instructions