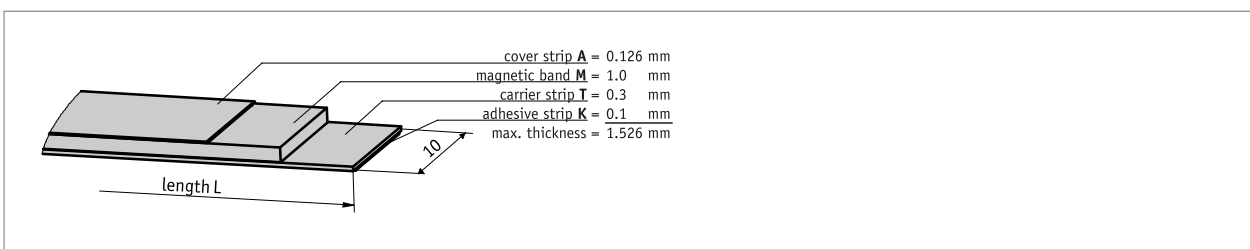
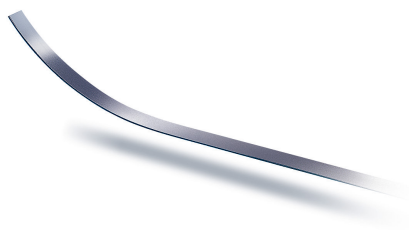


### Profile

- Absolutely coded scale with 10 mm width
- Easy mounting, field-wireable



### Mechanical data

| Feature        | Technical data            | Additional information       |
|----------------|---------------------------|------------------------------|
| Material       | rustproof stainless steel | cover strip                  |
| Band width     | 10 mm                     |                              |
| Band thickness | 1.4 mm                    | without cover strip          |
| Mounting type  | adhesive connection       | double-sided tape premounted |

### System data

| Feature         | Technical data | Additional information |
|-----------------|----------------|------------------------|
| Measuring range | ≤4000 mm       |                        |

### Ambient conditions

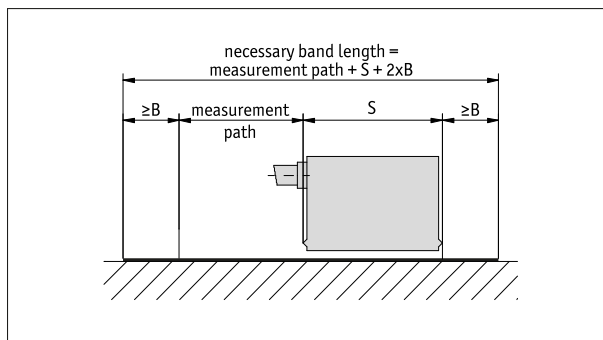
| Feature               | Technical data                | Additional information  |
|-----------------------|-------------------------------|-------------------------|
| Ambient temperature   | -20 ... 100 °C                |                         |
| Storage temperature   | -30 ... 100 °C                |                         |
| Expansion coefficient | $(11 \pm 1) \times 10^{-6}/K$ |                         |
| Relative humidity     | 100 %                         | condensation admissible |

### Order

#### ■ Ordering information

The necessary tape length is calculated from:  
 Measured distance + sensor length "S" + (2 x forerun or overrun "B", resp.).

|   |                                    |
|---|------------------------------------|
| S | see the drawing of the sensor used |
| B | 5 mm (forerun and overrun)         |



Symbolic representation

#### ■ Ordering table

| Feature               | Ordering data | Spezifikation                            | Additional information                        |
|-----------------------|---------------|--|---|
| length                | A ...         | 00.20 ... 04.09 m, in intervals of 0.1 m | "ordering detail, see "Ordering information"" |
| adhesive carrier tape | B<br>TM<br>TO | with<br>without                          |   |
| cover strip           | C<br>AM<br>AO | with<br>without                          |   |

#### ■ Order key

MBA111 -  -  -   
A - B - C

|   |
|---|
|  <b>Scope of delivery:</b><br>MBA111 |
|---|

|  |  |
|--|--|
|  <b>Accessories you can find:</b><br>Installation tool ZB3055 | <a href="http://www.siko-global.com">www.siko-global.com</a> |
|--|--|