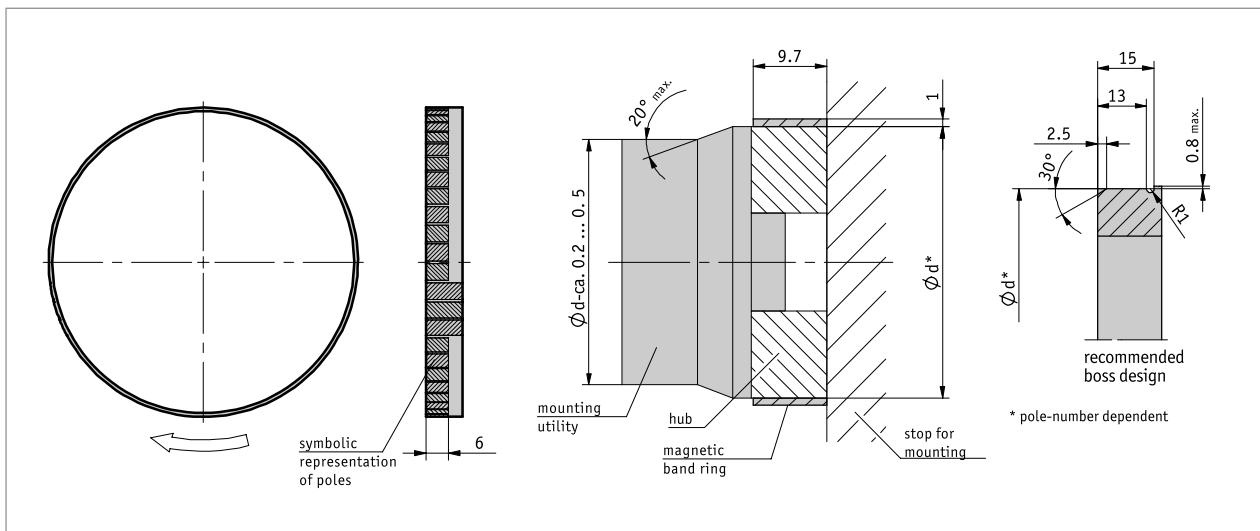


# Magnetic band ring MBR100

Incremental, flexible magnetic tape ring for self-assembly, pole length 1 mm

## Profile

- With reference point as an option
- Easy mounting on self-made carrier



## Mechanical data

Feature	Technical data	Additional information
Band width	9.7 mm	
Band thickness	1 mm	without cover strip or adhesive carrier tape
Mounting type	adhesive connection	recommended two-component adhesive: Uhu Plus 300 Endfest

## ■ Dimensions

Pole	460	540	720	1120
Diameter d [mm]	144.7 ±0.03	170.1 ±0.03	227.4 ±0.03	354.74 ±0.03
Diameter with MBR320 [mm]	146.7 ±0.03	172.1 ±0.03	229.4 ±0.03	356.74 ±0.03
Circumference U with MBR320 [mm]	460.87	540.67	720.68	1120.73
Speed [rpm]	≤2600	≤2210	≤1660	≤1070

## System data

Feature	Technical data	Additional information
Pole length	1 mm	
Measuring range	360 °	

# Magnetic band ring MBR100

Incremental, flexible magnetic tape ring for self-assembly, pole length 1 mm

## ■ pulses/revolution

"Pole number"	460	540	720	1120
Period	460	540	720	1120

Table applies to the combination MBR100 with LE100/1

## Ambient conditions

Feature	Technical data	Additional information
Ambient temperature	-20 ... 70 °C	
Storage temperature	-20 ... 70 °C	
Relative humidity	100 %	condensation admissible

## Order

### ■ Ordering table

Feature	Ordering data	Spezifikation	Additional information	
"Pole number "	A	460	460 poles	
		540	540 poles	
		720	720 poles	
		1120	1120 poles	
			others on request	
reference point	B	0	without	
		M	with	

### ■ Order key

MBR100 -  -

 **Scope of delivery:**  
MBR100, Installation Instructions