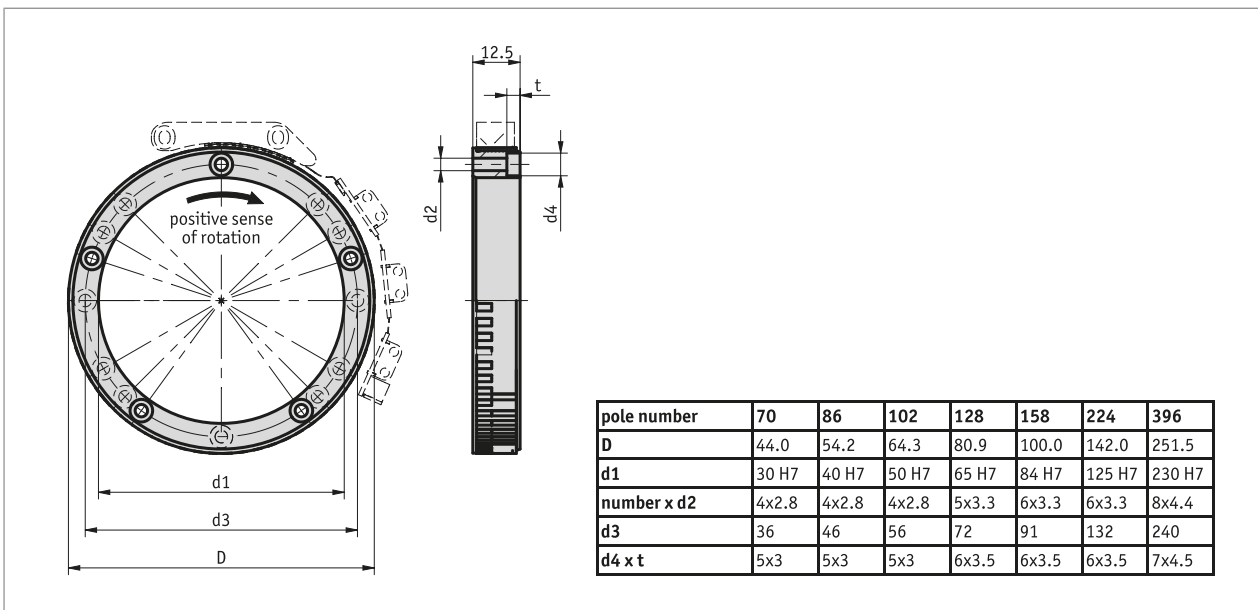


Profile

- Integration into small installation space possible
- Use with MSAC200 magnetic sensor
- Different hollow shaft diameters (customized adjustments on request)



Mechanical data

Feature	Technical data	Additional information
Flange	aluminum	
Speed	see table	
Weight	see table	

■ Rotational speed, Moment of inertia, Weight

"Pole number"	70	86	102	128	158	224	396
Rotational speed	10500 min ⁻¹	8800 min ⁻¹	7400 min ⁻¹	5800 min ⁻¹	4700 min ⁻¹	3300 min ⁻¹	1900 min ⁻¹
Moment of inertia	≥85 gcm ²	≥178 gcm ²	≥326 gcm ²	≥752 gcm ²	≥1525 gcm ²	≥5056 gcm ²	≥38040 gcm ²
Weight	25 g	33 g	41 g	58 g	74 g	116 g	266 g

System data

Feature	Technical data	Additional information
Pole length	2 mm	incremental track
Measuring range	360 °	
Circumferential speed	25 m/s	mechanical

Ambient conditions

Feature	Technical data	Additional information
Ambient temperature	-30 ... +100	
Storage temperature	-30 ... +100 °C	without packaging
Relative humidity	100 %	condensation admissible

Order

■ Ordering table

Feature	Ordering data	Spezifikation	Additional information
"Pole number "	A ...	70, 128, 158 others on request	

■ Order key

MRAC200 -
A

 **Scope of delivery:**
MRAC200