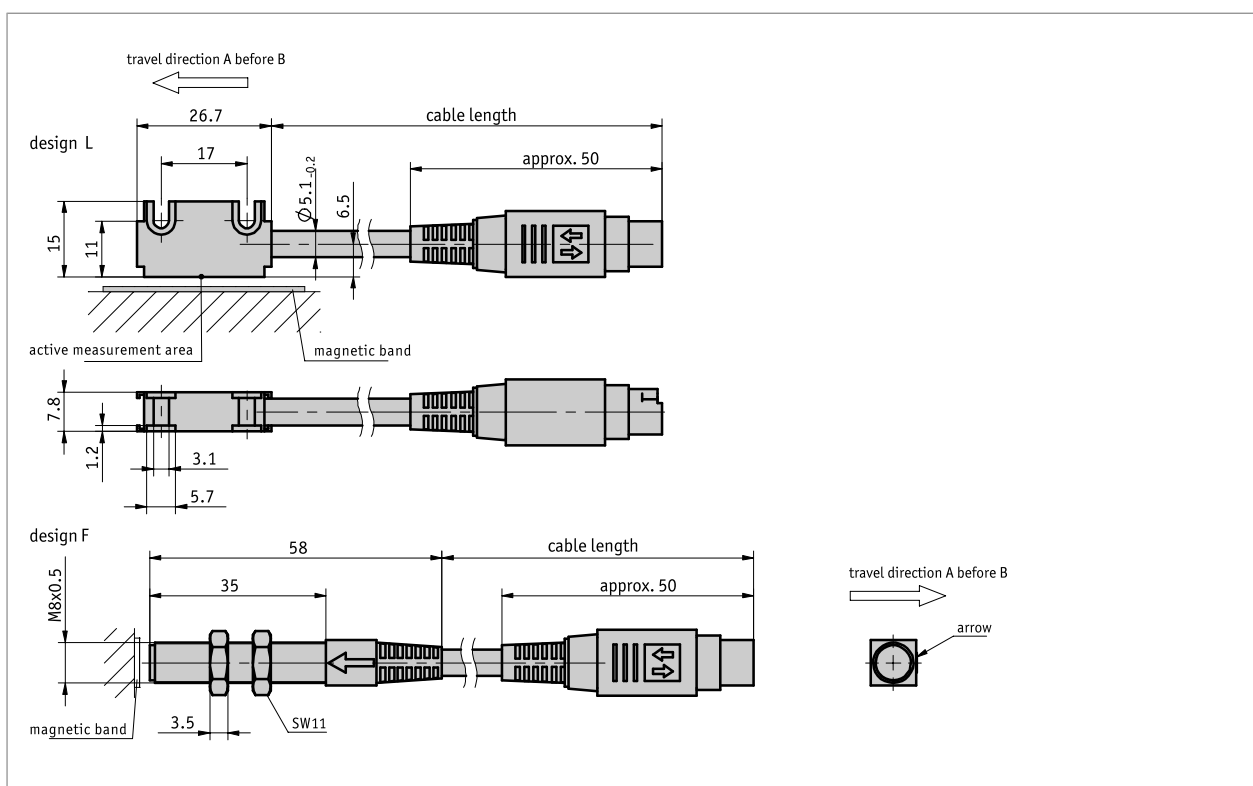
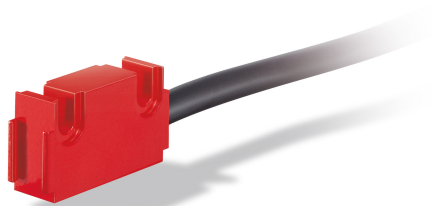


Profile

- Compact design of sensor and connector
- To be connected to MA502 or MA506
- Works with magnetic tape MB500/1, magnetic ring MR500, magnetic band ring MBR500
- Reading distance ≤ 2 mm



Mechanical data

Feature	Technical data	Additional information
Housing	aluminum red steel	L design F design
Sensor/band reading distance	0.1 ... 2 mm	
Cable sheath	PUR, PVC	6-core $\varnothing 5.1_{\pm 0.2}$ mm

Electrical data

Feature	Technical data	Additional information
Operating voltage	supply via measurement display / downstream electronic unit	
Current consumption	supply via measurement display / downstream electronic unit	
Type of connection	mini-DIN	6-pole, 1x pin (for MA502, MA506, MA523/1 or AS510/1 translation module)

System data


Feature	Technical data	Additional information
System accuracy	depending on downstream electronic unit	
Repeat accuracy	depending on downstream electronic unit	
Travel speed	≤5 m/s	

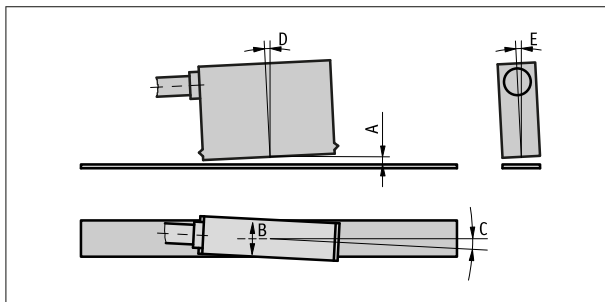
Ambient conditions

Feature	Technical data	Additional information
Ambient temperature	0 ... 60 °C	
Storage temperature	-20 ... 70 °C	
Relative humidity	100 %	condensation admissible (sensor head)
Protection category	IP67	EN 60529 (sensor head)
Shock resistance	2000 m/s ² , 11 ms	EN 60068-2-27
Vibration resistance	200 m/s ² , 50 Hz ... 2 kHz	EN 60068-2-6

Hint for mounting

A, Sensor/tape reading distance	≤2 mm
B, Lateral offset	±2 mm
C, Alignment error	±3°
D, Longitudinal inclination	±1°
E, Lateral inclination	±3°

 The length of the cable between the sensor and connector cannot be subsequently increased or decreased.



Symbolic representation

Order

■ Ordering information

One or more system components are required:

Magnetic tape MB500/1
Magnetic ring MR500
Magnetic band ring MBR500

www.siko-global.com
www.siko-global.com
www.siko-global.com

■ Ordering table

Feature	Ordering data	Spezifikation	Additional information		
design	A <table border="1"><tr><td>L</td></tr><tr><td>F</td></tr></table>	L	F	rectangular round	
L					
F					
Cable sheath	B <table border="1"><tr><td>PVC</td></tr><tr><td>PUR</td></tr></table>	PVC	PUR	oil-resistant	
PVC					
PUR					
Cable length	C ...	00.2 ... 20.0 m, in intervals of 1 m			

■ Order key

MS500 -

A

 -

B

 -

C



Scope of delivery:

MS500, Fastening set, User information