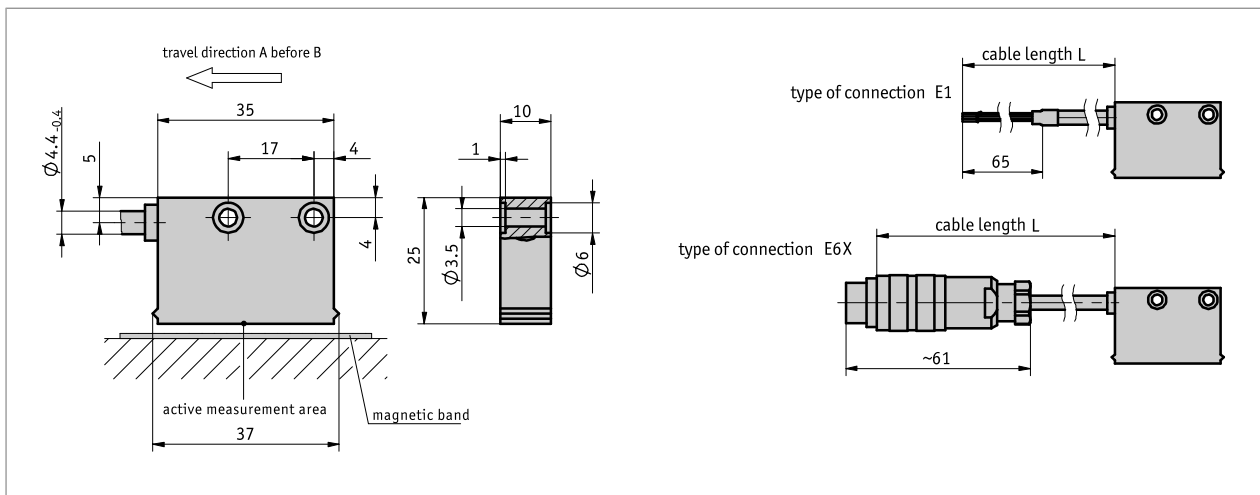
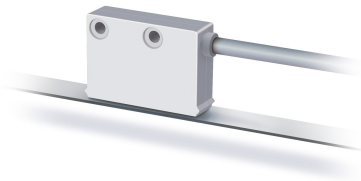


### Profile

- Max. resolution 1 mm
- Repeat accuracy  $\pm 1$  increment
- Works with magnetic tape MB400
- Reading distance  $\leq 4$  mm



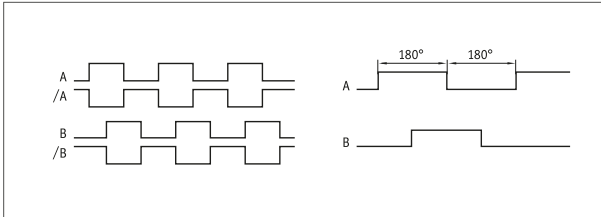
### Mechanical data

Feature	Technical data	Additional information
Housing	white plastic	
Sensor/band reading distance	0.1 ... 4 mm	
Cable sheath	PUR, suitable for drag-chain use	4-core $\phi 4.8_{-0.4}$ mm
Cable bending radius	5x cable diameter 7.5x cable diameter	static dynamic
Service life of cable	>5 Million cycles	Under the following test conditions: travel 4.5 m travel speed 3 m/s acceleration 5 m/s <sup>2</sup> ambient temperature 20 °C $\pm 5$ °C.

### Electrical data

Feature	Technical data	Additional information
Operating voltage	24 V DC $\pm 20$ %	reverse polarity protection
Current consumption	<20 mA	unloaded
Output circuit	PP	
Output signals	A, B	90° off-phase
Output signal level high	>UB - 3.5 V	
Output signal level low	<2 V	
Latency	1.5 $\mu$ s	
Real-time requirement	speed-proportional signal output	
Type of connection	open cable end plug connector	7-pole

### ■ Signal patterns



### System data

Feature	Technical data	Additional information
Resolution	1 mm	with quadruple evaluation
System accuracy	$\pm(1 + 0.03 \times L)$ mm, L in m at $T_U = 20^\circ \text{C}$	
Repeat accuracy	$\pm 1$ mm	
Measuring range	$\infty$	
Travel speed	$\leq 10$ m/s	

### Ambient conditions

Feature	Technical data	Additional information
Ambient temperature	$-10 \dots 70^\circ \text{C}$	
Storage temperature	$-30 \dots 80^\circ \text{C}$	
Relative humidity	100 %	condensation admissible
EMC	EN 61000-6-2 EN 61000-6-4	interference resistance / immission emitted interference / emission
Protection category	IP67	EN 60529
Shock resistance	$500 \text{ m/s}^2$ , 11 ms	EN 60068-2-27
Vibration resistance	$< 100 \text{ m/s}^2$ , 5 ... 150 Hz	EN 60068-2-6

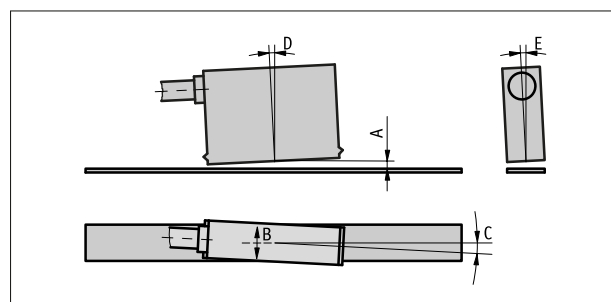
### pin assignment

#### ■ not inverted

Signal	E1	E6X
GND	black	1
A	red	2
B	orange	3
nc		4
+UB	brown	5
nc		6
nc		7
Shield	white	

### Hint for mounting

A, Sensor/tape reading distance	$\leq 4$ mm
B, Lateral offset	$\pm 2$ mm
C, Alignment error	$\pm 3^\circ$
D, Longitudinal inclination	$\pm 3^\circ$
E, Lateral inclination	$\pm 3^\circ$



Symbolic representation

### Order

#### ■ Ordering information

One or more system components are required:

Magnetic tape MB400

[www.siko-global.com](http://www.siko-global.com)

#### ■ Ordering table

Feature	Ordering data	Spezifikation	Additional information
Type of connection	A E1 E6X	open cable ends bullet connector without mating connector	
Cable length	B ...	02.0 ... 20 m, in intervals of 1 m others on request	

#### ■ Order key

MSK400/1



#### Scope of delivery:

MSK400/1, Fastening set, Installation Instructions