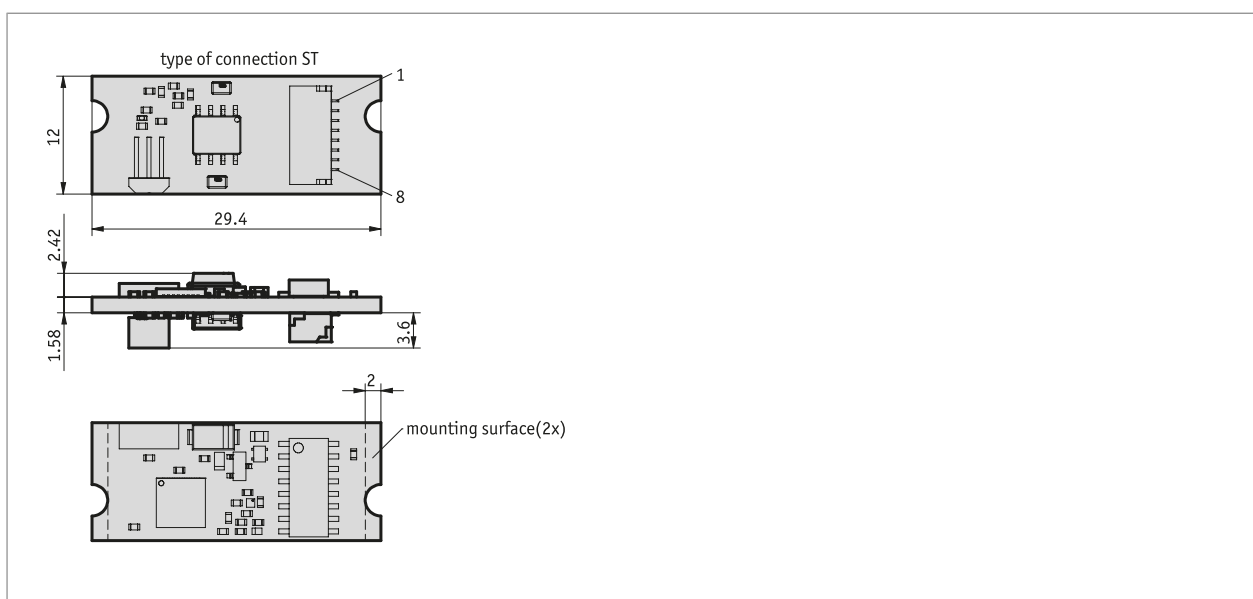


Profile

- max. resolution 1 μm
- Incremental board solution
- Non-contact magnetic scanning
- Small and compact installation dimensions
- optionally with reference point R or flexible reference marks FR
- Programmable via programming tool PT8000



Mechanical data

Feature	Technical data	Additional information
Housing design	open circuit board	
Sensor/band reading distance	0.1 ... 2 mm	I reference signals
	0.1 ... 1.5 mm	R reference signal
	0.4 ... 1	FR reference signal

Electrical data

Feature	Technical data	Additional information
Operating voltage	4.75 ... 24	reverse polarity protection
Current consumption	50 mA at 24 V DC	unloaded
	150 mA	loaded
Output circuit	PP	at operating voltage 4.75 ... 24 V DC
	LD	with operating voltage 4.75 ... 6 V DC
Output signals	A, /A, B, /B, I, /I, R, /R, FR, /FR	
Output signal level high	>UB -2.5 V	PP
	>2.5 V	LD
Output signal level low	<0.8 V	
Type of connection	solder connection	8-pole
	pin connector	8-pole
	JST connector	8-pole

System data

Feature	Technical data	Additional information
Pole length	5 mm	
Resolution	0.001, 0.005, 0.01, 0.025, 0.05, 0.1 mm	
System accuracy	$\pm(0.025 + 0.01 \times L)$ mm, L in m	
Repeat accuracy	$\pm 5 \mu\text{m}$	
Travel speed	≤ 25 m/s	
Measuring range	∞	

Ambient conditions

Feature	Technical data	Additional information
Ambient temperature	0 ... 50 °C	
Storage temperature	-20 ... 70	
Relative humidity	95 %	condensation inadmissible

Order

■ Ordering information

One or more system components are required:

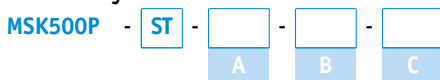
Magnetic tape MB500/1
 Magnetic ring MR500
 Magnetic band ring MBR500

www.siko-global.com
www.siko-global.com
www.siko-global.com

■ Ordering table

Feature	Ordering data	Spezifikation	Additional information			
reference signal	A <table border="1"> <tr><td>I</td></tr> <tr><td>R</td></tr> <tr><td>FR</td></tr> </table>	I	R	FR	periodic index fixed reference flexible reference	
I						
R						
FR						
Resolution	B ...	0.001, 0.005, 0.010, 0.025, 0.050, 0.1 others on request				
Pulse interval	C ...	0.1, 0.2, 0.25, 0.5, 1, 2, 2.5, 4, 8, 16, 32, 64, 66				

■ Order key



 Scope of delivery: MSK500P, Quick Start Guide
 Accessories you can find: Flexible reference mark Order key 88436