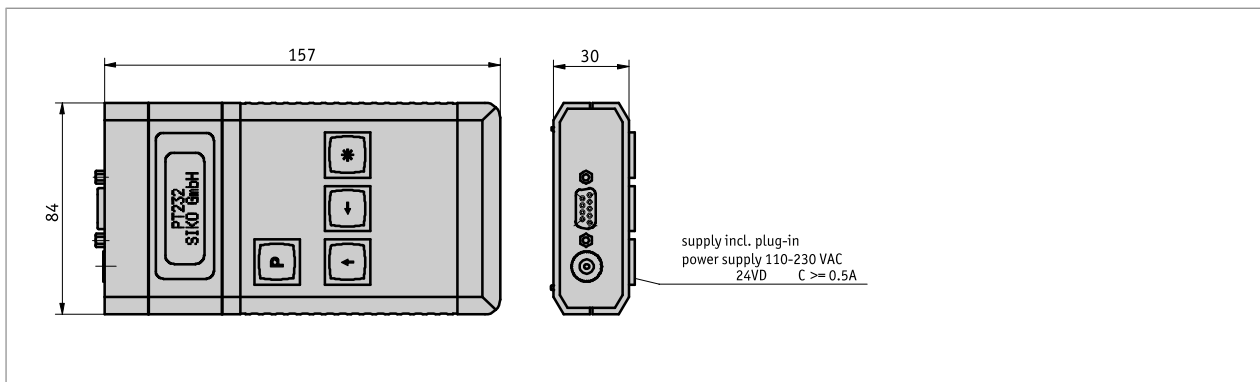


Profile

- 2-line illuminated LC display with plain text display
- Easy handling thanks to a clear menu structure
- Unambiguous programming and reading of parameters
- Can be connected directly to the appropriate terminal device via KA232 cable adaptor



Electrical data

Feature	Technical data	Additional information
Operating voltage	24 V DC, reverse polarity protected	low-voltage bullet connector (5.5 mm outside / 2.1 mm inside)
Display/display range	2x 12 characters, LCD dot matrix	backlit

Ambient conditions

Feature	Technical data	Additional information
Ambient temperature	0 ... 50 °C	

pin assignment

■ supply

Signal	PIN
+UB	internal
GND	external

■ D-SUB

Signal	PIN
+UB	1
RXD	2
TXD	3
GND	5
nc	4, 6-9

Order

■ Ordering information

One or more system components are required:
Cable adaptor KA232

www.siko-global.com

■ Order key

PT232



Scope of delivery:

PT232, User information, Connector power pack 110 ... 230 V AC