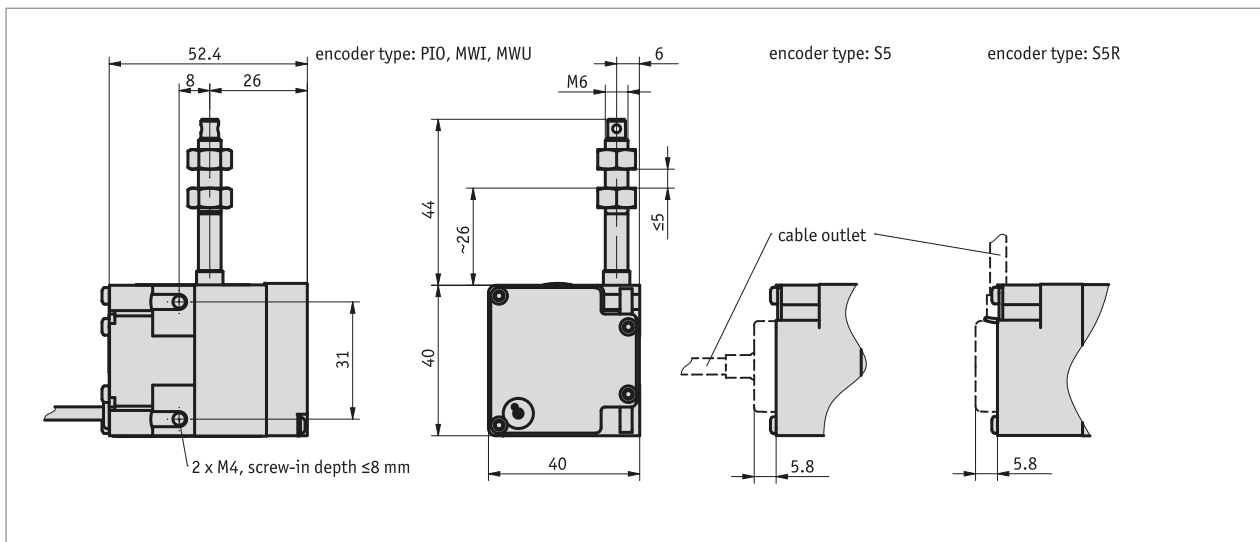
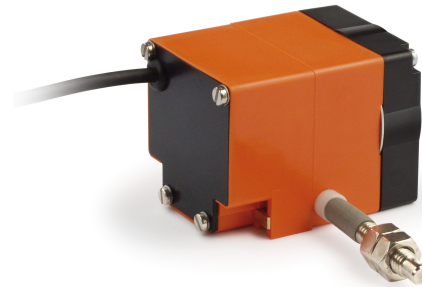


### Profile

- Compact design
- Universally applicable thanks to standardized interfaces
- Easy mounting
- Measurement lengths up to max. 2000 mm
- Potentiometer, voltage, power output or incremental encoder
- Housing made of reinforced plastic

ANALOG



### Mechanical data

Feature	Technical data	Additional information
Housing	reinforced plastic	
Wire design	ø0.45 mm ø0.45 mm	rustproof stainless steel, plastic-coated rustproof stainless steel
Extension force	≥2 N	
Measured distance/ rope drum revolution	100 mm	
Cable length	≤30 m ≤20 m	P10 + MWI encoder type MWU encoder type
Weight	~0.2 kg	

### Electrical data

#### ■ Encoder potentiometer

Feature	Technical data	Additional information
Power rating	1.5 W at 70 °C	
resistance	10 kΩ	
Resistance tolerance	±5 %	
Linearity tolerance	±0.25 % ±0.1 %	MWI/0,1 encoder type

### ■ Transducer, power output

Feature	Technical data	Additional information
Operating voltage	24 V DC $\pm 20\%$ at load 500 $\Omega$	
Output current	4 ... 20 mA	

### ■ Transducer, voltage output

Feature	Technical data	Additional information
Operating voltage	15 ... 28 V DC at 36 mA without load	
Output voltage	0 ... 10 V DC	
Load	$\leq 15$ mA	

\* **Transducers** enable optimal adaptation of output current or output voltage to the measuring range. The measuring transformer is factory preset so that an output signal of 4 ... 20 mA (MWI) or 0 ... 10 V DC (MWU) is available between the start and end points of the measuring range.

## System data

Feature	Technical data	Additional information
Repeat accuracy	$\pm 0.15$ mm	
Travel speed	$\leq 800$ mm/s	

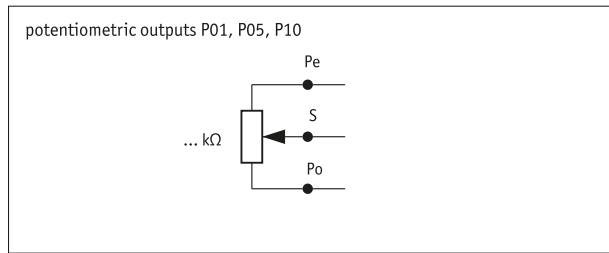
## Ambient conditions

Feature	Technical data	Additional information
Ambient temperature	-10 ... 80 °C	without transducer
	0 ... 50 °C	with transducer
Protection category	IP50 (encoder part potentiometer)	EN 60529
	IP54 (incremental)	EN 60529

### pin assignment

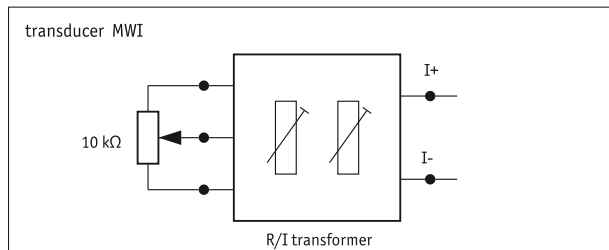
#### ■ Potentiometric outputs P10

Signal	E1 (terminal)
Po	brown
Pe	white
S	green



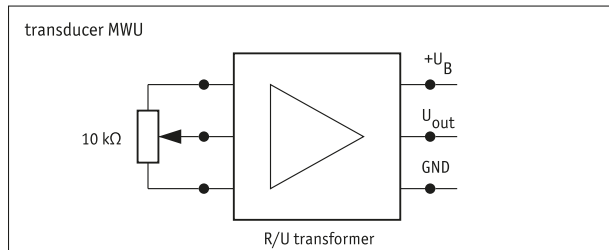
#### ■ MWI transducer

Signal	Cable color
I+	brown
I-	white



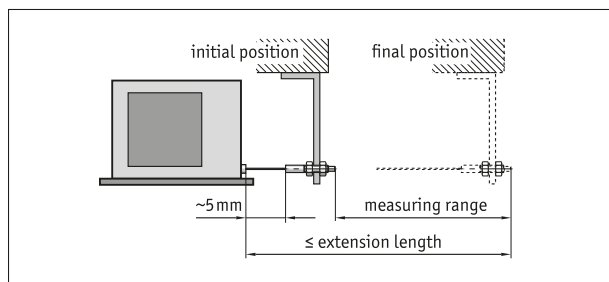
#### ■ MWU transducer

Signal	Cable color
+24 V DC	brown
GND	white
Uout	green



### Hint for mounting

When securing the wire it must be ensured that the wire is straight and vertical in relation to the wire outlet.  
**Recommendation:** Only select the starting position after an unwound length of approx. 5 mm. This prevents the wire hitting the end stop when it is rewound.



Symbolic representation

### Order

#### ■ Ordering information

For measuring range 2000 I, the rotary encoder IV2800 mounted directly from the factory must be ordered separately.

#### ■ Ordering table

Feature	Ordering data	Spezifikation	Additional information
Measuring range	<b>A</b> ... 2000I	300, 500, 1000 in mm	encoder types $\Omega$ , I, U (potentiometer and transducer) only with encoder type S5, S5R
wire design	<b>B</b> S SK	stainless steel wire steel wire, plastic coated	
encoder type	<b>C</b> P10 MWI MWU S5 S5R	potentiometer with 10k $\Omega$ transducer 4 ... 20 mA transducer 0 ... 10 V rotary encoder IV2800, axial cable outlet rotary encoder IV2800, radial cable outlet others on request	
Cable length	<b>D</b> 00.5 ... IG	0.5 m 01.0 ... 20.0 m, in intervals of 1 m specified via mounted encoder	with encoder type P10 or MWI/MWU with encoder type P10 or MWI/MWU at measuring range 2000 I

### Order key

SG10 -  -  -  -



#### Scope of delivery:

SG10



#### Accessories you can find:

Guide roller UR  
Wire extension piece SV

[www.siko-global.com](http://www.siko-global.com)  
[www.siko-global.com](http://www.siko-global.com)