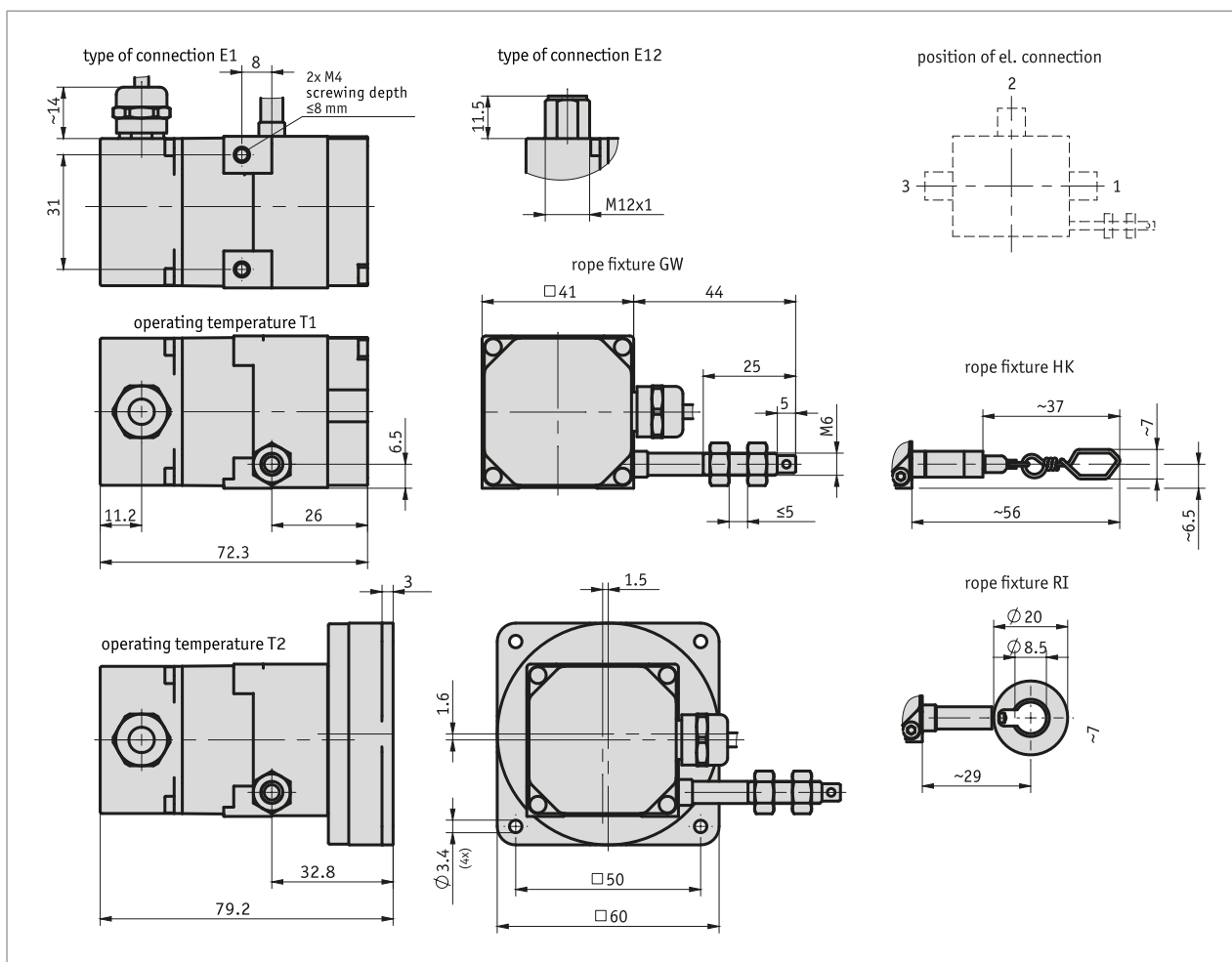
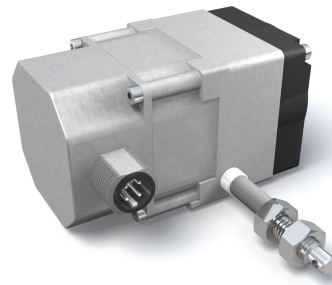


Profile

- Compact design
- Universally applicable thanks to standardized interfaces
- Easy mounting
- Measurement lengths up to max. 2000 mm
- Potentiometer, voltage or power output
- Robust zinc die-cast housing

ANALOG



Mechanical data

Feature	Technical data	Additional information
Housing	zinc die-cast	
Wire design	ø0.45 mm	rustproof stainless steel, plastic-coated
Extension force	≥2 N	T1 operating temperature
	≥11 N	T2 operating temperature
Measured distance/ rope drum revolution	100 mm	
Absolute accuracy	±0.35 %	relating to measuring length (mm)
Cable length	≤20 m	E1 connection type
Weight	~0.32 kg	

Electrical data

■ Encoder potentiometer

Feature	Technical data	Additional information
Power rating	2 W at 70 °C	
resistance	10 kΩ	
Resistance tolerance	±5 %	
Linearity tolerance	±0.25 %	

■ Transducer, power output

Feature	Technical data	Additional information
Operating voltage	10 ... 30 V DC	between I+ and I-, at ≤500 Ω load
Output current	4 ... 20 mA	(4/20mA, MWIHP)

■ Transducer, voltage output

Feature	Technical data	Additional information
Operating voltage	15 ... 28 V DC at 3 mA without load (0/10V)	
	8 ... 28 V DC at 3 mA without load (0.5/4.5V)	
Output voltage	0 ... 10 V DC	I _{Load} ≤10 mA (0/10 V)
	0.5 ... 4.5 V DC	I _{Load} ≤10 mA (0.5/4.5 V)
resistance	2 ... 10 kΩ	against GND
Load	≤15 mA	

System data

Feature	Technical data	Additional information
Repeat accuracy	±0.15 mm	
Travel speed	≤1 m/s	

Ambient conditions

Feature	Technical data	Additional information
Ambient temperature	-10 ... 80 °C	T1
	-40 ... 80 °C	T2
Protection category	IP65 (encoder part)	EN 60529

pin assignment

Hint for mounting


Order

■ Ordering table

Feature	Ordering data	Spezifikation	Additional information
Measuring range	A ...	1250, 1500, 1750, 2000 in mm	
rope fixture	B GW HK RI	wire suspension with thread wire suspension with hook wire suspension with ring	
encoder type	C P10 0.5/4.5V 0/10V 4/20mA	potentiometer with 10 kΩ measuring transducer 0.5 ... 4.5 V transducer 0 ... 10 V transducer 4 ... 20 mA others on request	
position of electrical connection	D 1 2 3	direction of wire outlet upward opposite the wire outlet	
Type of connection	E E1 E12	open cable ends connector	
Cable length	F ... OK	01.0 ... 20.0 without cable	only with connection type E1 only with connection type E12
operating temperature	G T1 T2	-10 ... +80 °C -40 ... +80 °C	

■ Order key



	Scope of delivery: SG20, Installation Instructions
	Accessories you can find: Guide roller UR Wire extension piece SV Overview Mating connector Mating connector, E12, 4-pole, socket

www.siko-global.com
www.siko-global.com
www.siko-global.com
 Order key 83419