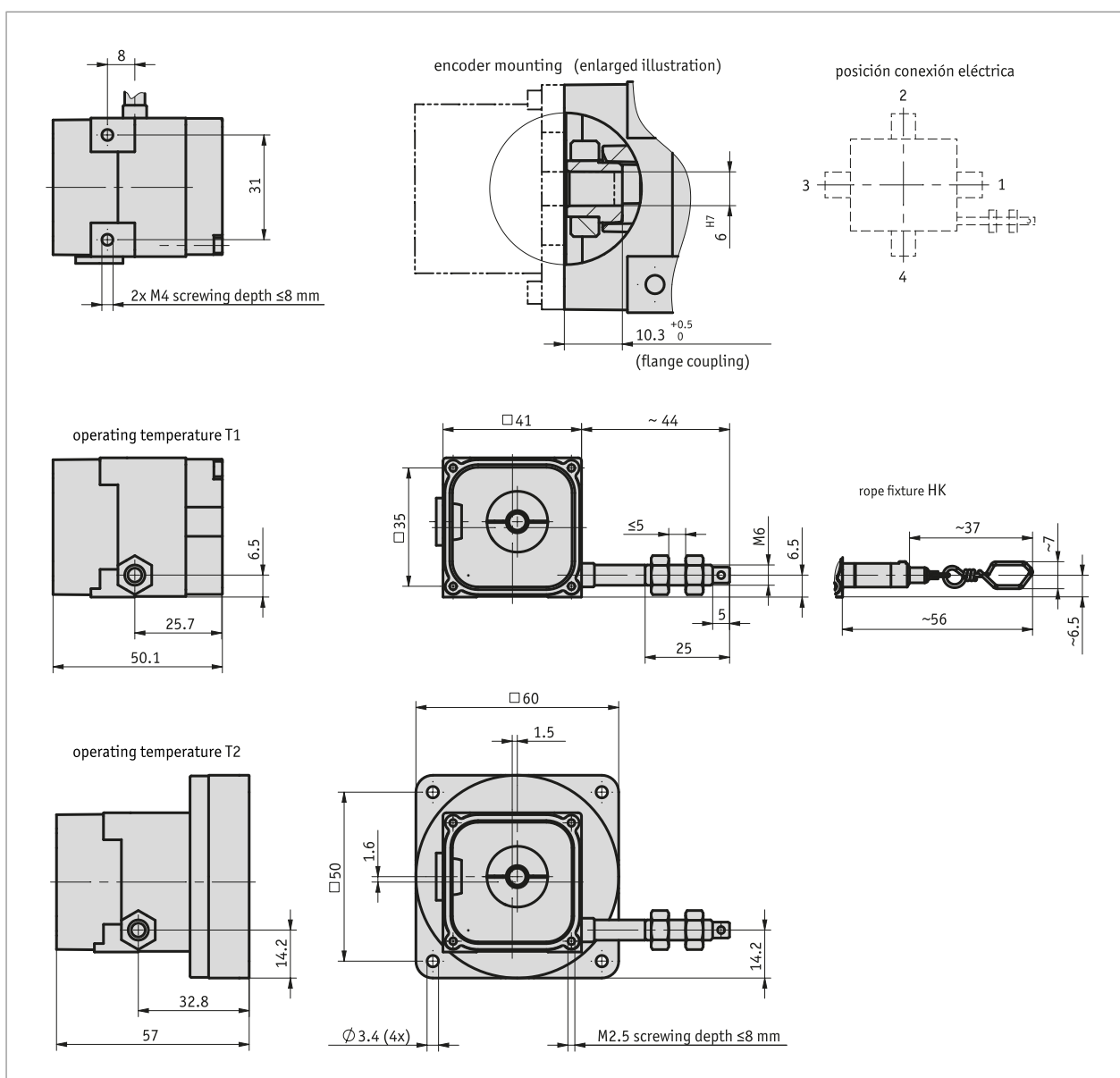
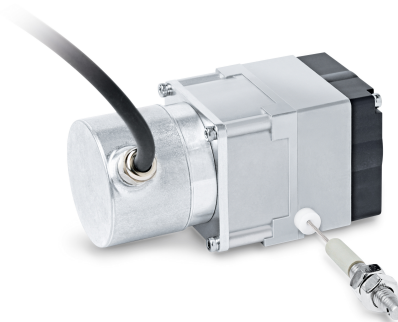


### Profile

- Wire-actuated encoder for rotary encoder with max.  $\varnothing 36$  mm flange
- Measurement lengths up to 2000 mm
- Sturdy zinc die-cast housing, robust design, stable measuring rope (stainless steel)
- Very compact design



### Mechanical data

Feature	Technical data	Additional information
Housing	zinc die-cast	
Wire design	ø0.45 mm	rustproof stainless steel, plastic-coated
Extension force	≥2 N	T1 operating temperature
	≥11 N	T2 operating temperature
Measured distance/ rope drum revolution	100 mm	
Weight	~0.2 kg	

### System data

Feature	Technical data	Additional information
Repeat accuracy	±0.15 mm	per direction of approach
Travel speed	≤1 m/s	

### Ambient conditions

Feature	Technical data	Additional information
Ambient temperature	-10 ... 80 °C	T1
	-40 ... 80 °C	T2

### Rotary encoders that can be combined with this wire-actuated encoder

"You can find suitable rotary encoders on our website [www.siko-global.com](http://www.siko-global.com). They are suitable ...

- for analog outputs such as current or voltage: AV3650M
- for incremental outputs: IV2800
- for absolute outputs: WV3650M, WV36M/CAN

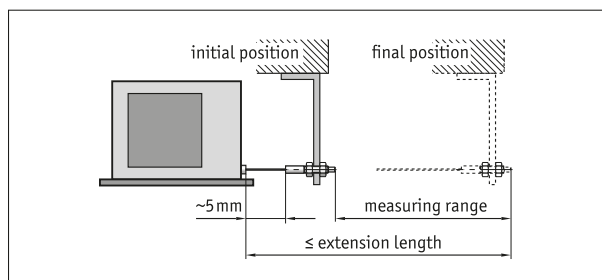
SIKO rotary encoders have the following interfaces, among others: incremental, SSI, CANopen, IO-Link

The technical specifications for these devices can be found in the respective data sheets. In addition, numerous encoder variants from different manufacturers can be used.

### Hint for mounting

When securing the wire it must be ensured that the wire is straight and vertical in relation to the wire outlet.

**Recommendation:** Only select the starting position after an unwound length of approx. 5 mm. This prevents the wire hitting the end stop when it is rewound.



Symbolic representation

### Order

- **Ordering information**

One or more system components are required:

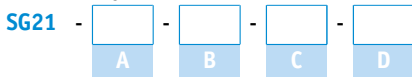
Mounting flange ZB4002

[www.siko-global.com](http://www.siko-global.com)

### ■ Ordering table

Feature	Ordering data	Spezifikation	Additional information
rope fixture	A	GW	wire suspension with thread
		HK	wire suspension with hook
encoder type	B	OG6	without encoder
		S6	a wide range of encoders can be used
position of electrical connection	C	1	direction of wire outlet or axial
		2	upward
		3	opposite the wire outlet
		4	downward
		0	without encoder
operating temperature	D	T1	-10 ... +80 °C
		T2	-40 ... +80 °C

### ■ Order key



**Scope of delivery:**

SG21, Installation Instructions



**Accessories you can find:**

Guide roller UR  
Wire extension piece SV

[www.siko-global.com](http://www.siko-global.com)  
[www.siko-global.com](http://www.siko-global.com)