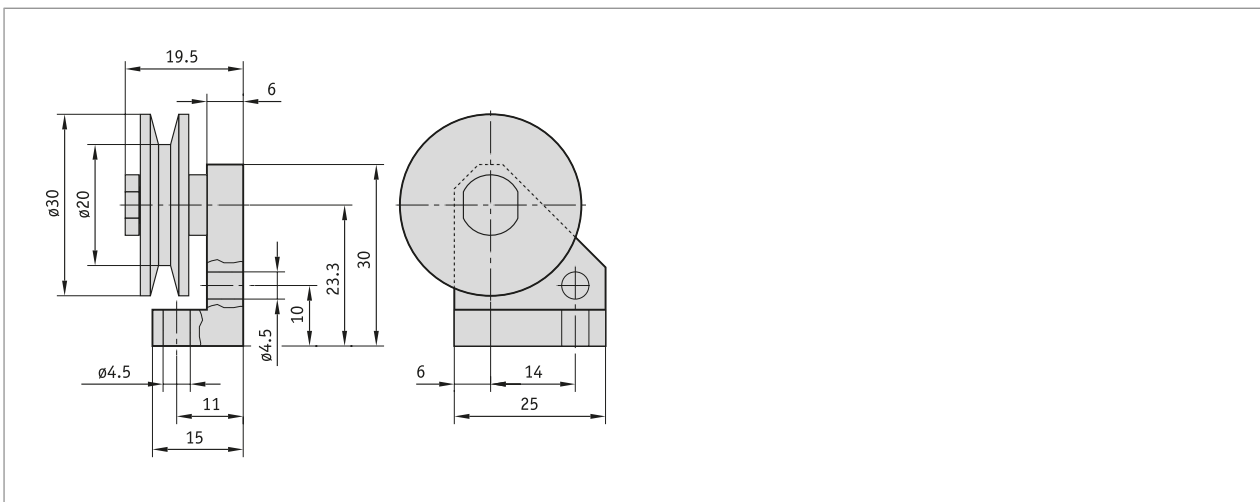
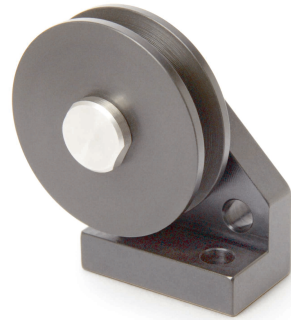


Profile

- For changing the measurement direction. Guide rollers are used when the wire-actuated encoder cannot be installed inline with the extension direction of the wire
- Several guide rollers can be combined



Mechanical data

Feature	Technical data	Additional information
Material	plastic aluminum	roller accommodation
Weight	0.025 kg	

Order

- Order key

