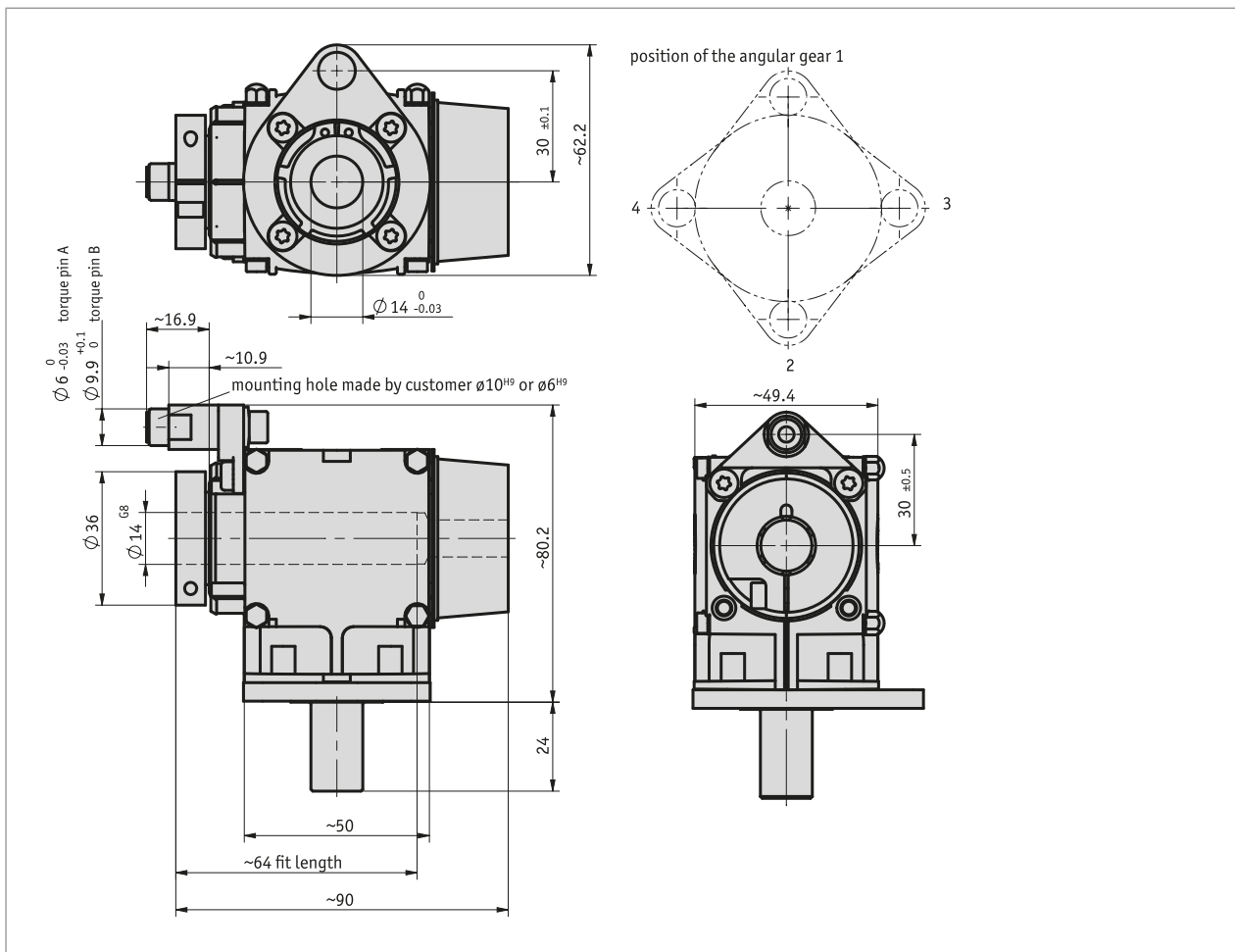
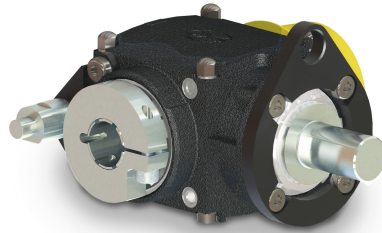


Profile

- High positioning accuracy
- Hollow shaft design
- Force-fit and form-fit shaft shape
- Maintenance-free, lubricated for life



Mechanical data

Feature	Technical data	Additional information
shaft	rustproof stainless steel	
Housing	zinc die-cast, powder-coated black matte	
clamping ring	rustproof stainless steel	
Torque pin	rustproof stainless steel	form A
	rustproof stainless steel	form B
Gear ratio	1:1	
Nominal torque/rated speed	5 Nm at 75 min ⁻¹	on the input shaft
Operating mode	S3 intermittent operation: 25 % DC, 10 min.	EN 60034-1
Efficiency	~88 %	
Weight	0.7 kg	

Ambient conditions

Feature	Technical data	Additional information
Ambient temperature	-20 ... +45 °C	
Storage temperature	-20 ... +60 °C	
Protection category	IP50	higher type of protection on request

Order

■ Ordering information

One or more system components are required:

Positioning drive AG05

www.siko-global.com

Positioning drive AG25

www.siko-global.com

■ Ordering table

Feature	Ordering data	Spezifikation	Additional information
Torque pin	A	A	bolt, ø6 mm
		B	bolt, ø10 mm
angular gear mounted	B	GM	actuator mounted
		GS	actuator separate
position of the angular gear	C	1	0°
		2	180°
		3	90°
		4	270°
			no information required
			only GM
			only GM
			only GM
			only GM
			only GS

■ Order key

WG05 - - -

A
B
C



Scope of delivery:

WG05, Installation Instructions