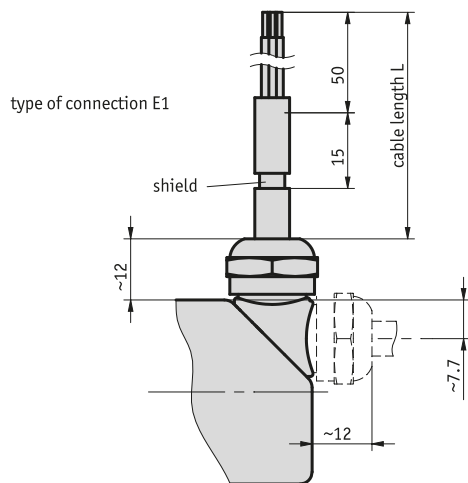
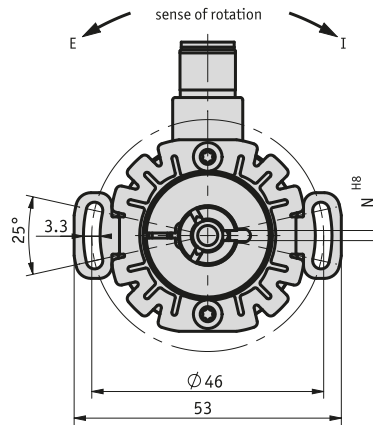
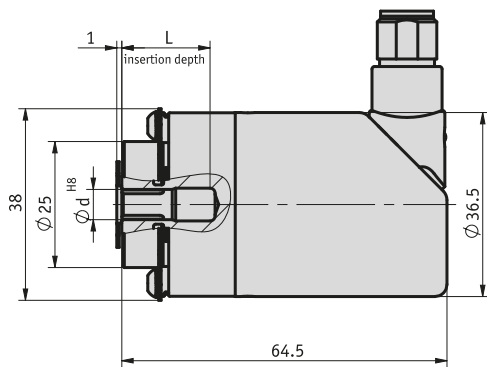
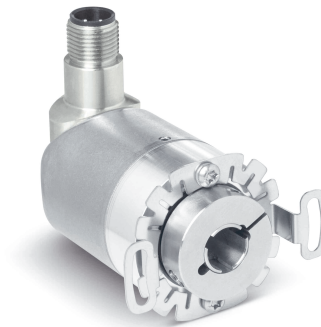
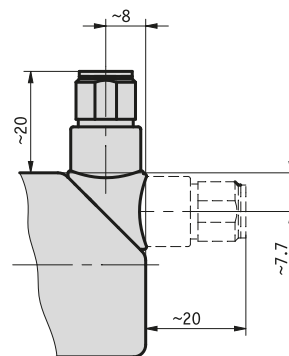


Profile

- CANopen (DS406) or SAE J1939 interface
- Extremely compact design with $\varnothing 36$ mm flange
- Single turn or multiturn variant available
- E1 approval by the German Federal Motor Transport Authority (KBA) pending
- Salt spray tested housing available
- with PURE.MOBILE technology



type of connection E12E



shaft design	$\varnothing d$	L	N
N2/6	6	≤ 18	2
N2/8	8	≤ 18	2
N3/10	10	≤ 20	3

Mechanical data

Feature	Technical data	Additional information
shaft	rustproof stainless steel	
Flange	aluminum	
Housing	rustproof stainless steel	
Speed	≤3000 min ⁻¹	
Moment of inertia	<29 gcm ²	
Shaft load rating	≤40 N	radial
	≤20 N	axial

Electrical data

Feature	Technical data	Additional information
Operating voltage	8 ... 36	reverse polarity protection
Power input	≤1 W at 36 V	without load
Parameter storage	10 ⁵ cycles	also applies to calibration operations
Status display	1x two-color LEDs (red/green)	Device/CAN status
Power rating	±36 V	CAN interface
Interface	according to ISO 11898-1/2, not electrically isolated	CANopen
	according to ISO 11898-1, not electrically isolated	SAE J1939
Address	1 ... 127	CANopen
	128 ... 238	SAE J1939
Baud rate	20 kbit/s	CANopen
	50 kbit/s	CANopen
	125 kbit/s	CANopen, SAE J1939
	250 kbit/s	CANopen, SAE J1939
	500 kbit/s	CANopen, SAE J1939
	800 kbit/s	CANopen
	1 Mbit/s	CANopen
Cycle time	<10 ms	
Starting time	<1000 ms	
Parameter	according to CiA 301, CiA 303 Part 3, CiA 305, CiA 406	CANopen
	according to SAE J1939-21, -71, -81, DA	SAE J1939
Type of connection	1x M12-plug connector (A-coded)	5-pin, 1x pin (E12E connection type)
	open cable end	Stranded wire cross-section 0.5 mm ² (E1 connection type)

System data

Feature	Technical data	Additional information
Scanning	magnetic	
Resolution	14 bit	singleturn, 16384 steps/revolution
Measuring range	1 rotation(s)	singeltturn
	4096 rotation(s)	12 bit
	65536 rotation(s)	16 bit

Ambient conditions

Feature	Technical data	Additional information
Ambient temperature	-40 ... 85 °C	
Storage temperature	-40 ... 85	
Relative humidity	100 %	condensation admissible
EMC	EN 61326-1	Industry immunity requirement, class B emission limit, shielded line required
	EN 61000-6-2	interference resistance / immission
Protection category	IP67	EN 60529, installed according to assembly instructions and with suitable mating connector
Salt spray test	severity level 3	EN 60068-2-52

pin assignment

■ E12E

Signal	PIN
nc	1
+UB	2
GND	3
CAN_H	4
CAN_L	5

■ E1

Signal	Cable color
nc	white
+UB	brown
GND	green
CAN_H	yellow
CAN_L	gray

Order

■ Ordering table

Feature	Ordering data	Spezifikation	Additional information
interface/protocol	A CAN J1939	CANopen SAE J1939	
number of revolutions	B 1 4096 65536	singleturn 12 bit 16 bit	
hollow shaft/diameter	C N2/6 N2/8 N3/10	ø6 mm, form-fit keyway ø8 mm, form-fit keyway ø10 mm, form-fit keyway	
position of electrical connection	D A R	axial radial	
Type of connection	E E1 E12E	open cable end Bus IN	
Cable length	F OK ...	without cable 01.0, 02.0, 03.0, 05.0, 10.0 in m	only with connection type E12E only with connection type E1

■ Order key

WH3600M - A - 16384 - B - C - DS1 - IP67 - D - E - F - S



Scope of delivery:
WH3600M, Quick Start Guide



Accessories you can find:
Cable extension KV05S0
Overview, Mating connector
Mating connector, 5-pole, angle socket
Mating connector, 5-pole, socket

www.siko-global.com
www.siko-global.com
Order key 83006
Order key 84109