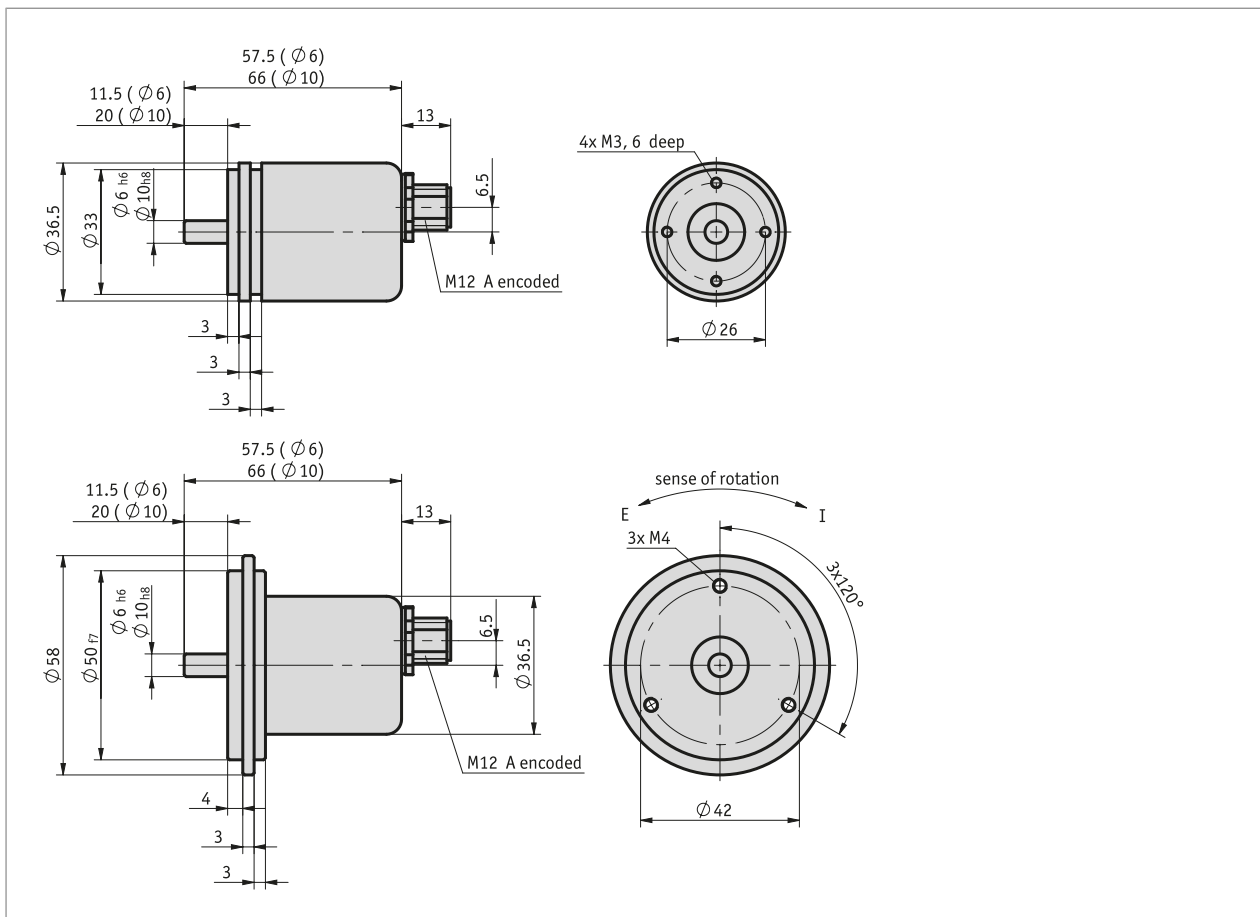


Profile

- Compact design (36.5mm diameter)
- CANopen (DS406) or SAE J1939 interface
- Multi-turn without battery
- Double ball bearings
- 13 bit multi-turn (8192 revolutions)
- 12 bit single-turn (4096 steps)



Mechanical data

Feature	Technical data	Additional information
shaft	rustproof stainless steel	
Flange	aluminum	
Housing	nickel-plated steel	
Speed	≤12000 min ⁻¹	
Moment of inertia	≤30 gcm ²	
Starting torque	≤3 Ncm at 20 °C	
Shaft load rating	≤40 N, axial ≤110 N, radial	
Weight	~0.15 kg	

Electrical data

Feature	Technical data	Additional information
Operating voltage	9 ... 30 V DC	reverse polarity protection
Power input	≤1.2 W	
Interface	according to ISO 11898, galvanically isolated	CANopen (DS406), SAE J1939
Address	adjustable	via SDO or Layer Setting Service (LSS)
Baud rate	≤1 Mbit/s	
Cycle time	≥1 ms	

System data

Feature	Technical data	Additional information
Resolution	4096	
Travel range	4096 rotation(s) 8192 rotation(s)	

Ambient conditions

Feature	Technical data	Additional information
Ambient temperature	-40 ... 85 °C	
Storage temperature	-40 ... 85 °C	
Relative humidity	98 %	condensation inadmissible
EMC	EN 61000-6-2 EN 61000-6-4	interference resistance / immission emitted interference / emission
Protection category	IP65	EN 60529
Shock resistance	≤1000 m/s ² , 6 ms	EN 60068-2-27
Vibration resistance	≤100 m/s ² , 10 Hz ... 1 kHz	EN 60068-2-6

pin assignment

Signal	PIN
CAN_GND	1
+UB	2
GND	3
CAN_H	4
CAN_L	5

Order

■ Ordering table

Feature	Ordering data	Spezifikation	Additional information
Interface	A CAN CAN-J1939	CANopen (DS406) SAE J1939	
number of revolutions	B 4096 8192	12 bit 13 bit	
Mounting type	C 6/S36 6/S58 10/S36 10/S58	shaft ø6 mm, flange ø36 mm shaft ø6 mm, flange ø58 mm shaft ø10 mm, flange ø36 mm shaft ø10 mm, flange ø58 mm	

■ Order key

WV36M/CAN - A - 4096 - B - C - M12

**Scope of delivery:**

WV36M/CAN, Installation Instructions

**Accessories you can find:**

Flexible coupling AK18

Servo clamp SK

Overview, Mating connector

Mating connector, 5-pole, angle socket

Mating connector, 5-pole, socket

www.siko-global.com

www.siko-global.com

www.siko-global.com

Order key 83006

Order key 84109