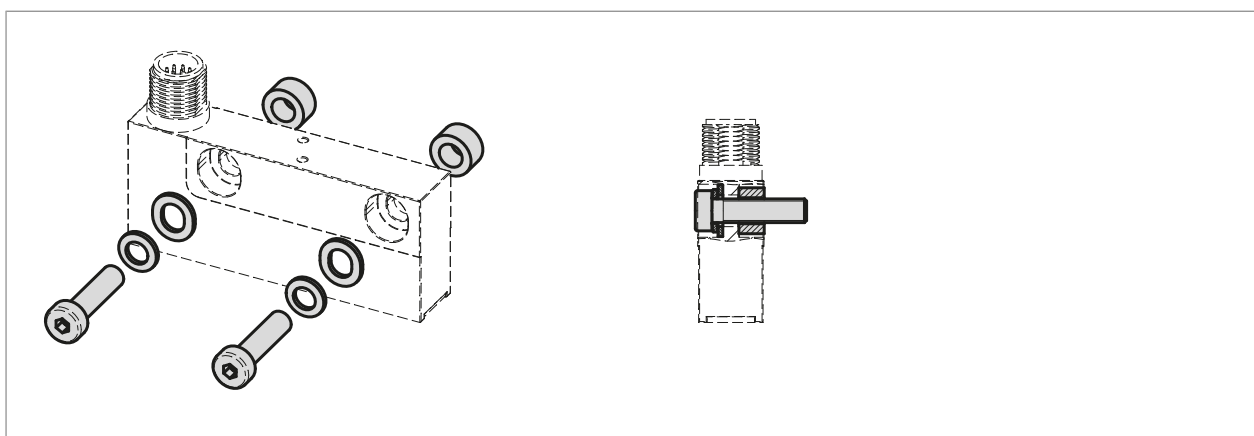


### Profile

- For safe and simple mounting of MSA111C
- SIL2 compliant
- Acceleration



### Mechanical data

| Feature  | Technical data    | Additional information            |
|----------|-------------------|-----------------------------------|
| Material | titanium          | 2x cylinder screw, M5x20 DIN 7984 |
|          | zinc-coated steel | 2x lock washer                    |

### Order

- Order key

ZB3053