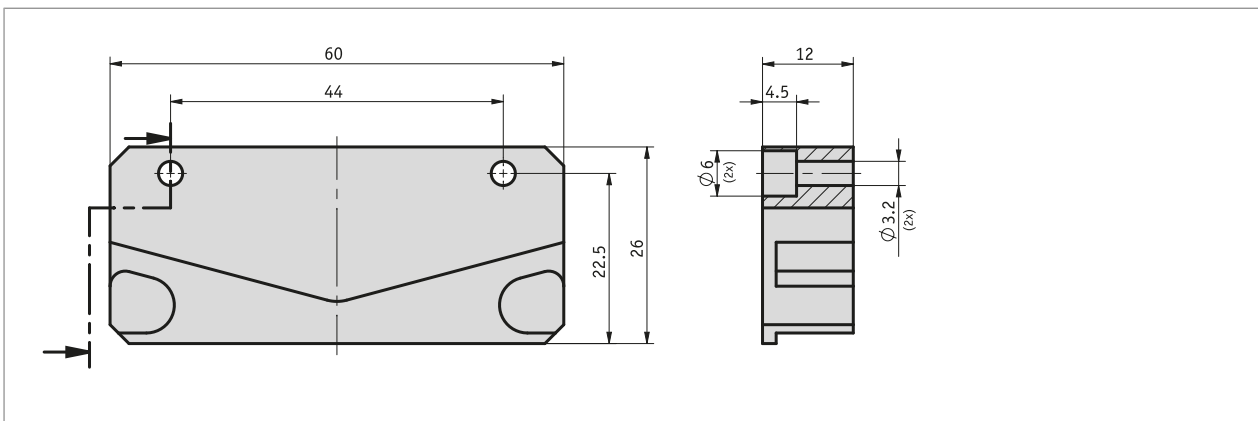
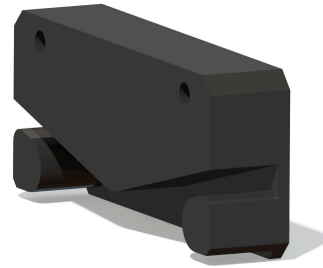


Profile

- Mounting aid for incremental magnetic tapes with 10 mm width
- Easy mounting of the magnetic tapes
- Adjusted to the M, ZM, K sensor designs of the magnetic sensors
- Suitable for multiple use and easy integration into existing mounting processes



Mechanical data

Feature	Technical data	Additional information
Housing	black plastic	

Order

- Order key

ZB3054