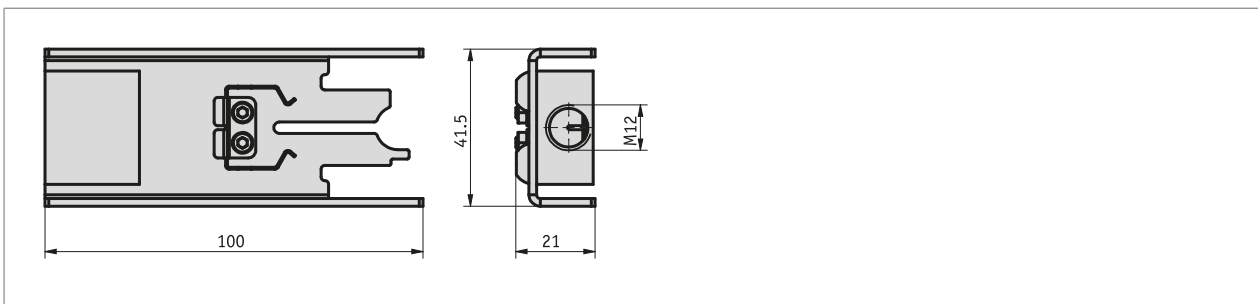
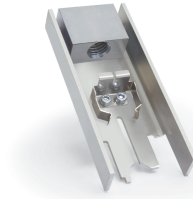


Profile

- Mounting aid for the SGH10 wire-actuated encoder
- For easy mounting of the SGH10 into welded cylinders
- Flexibly usable for any cylinder shape and cylinder stroke
- Suitable for multiple use and easy integration into existing mounting processes



Mechanical data

Feature	Technical data	Additional information
Housing	steel	stainless steel, galvanized

Order

■ Order key

ZB4004 - ZB4004