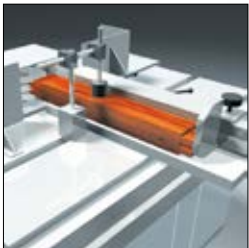


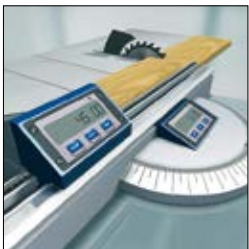
MagScale | Electronic Ruler – battery-operated measurement system



Revolutionary measurement solutions
for length and angle limit stops:

Digital, mains-independent measurement systems for playfree position sensing

SIKO presents MagScale - the new energy-optimized stand-alone LCD systems designed to handle the key measuring tasks in trade and industry. These systems are particularly suitable for use with length and angle limit stops (circular saws, die bending presses, sheet stamping presses ...).



The MA503/2, MA504/1 and MA508/1 measurement systems are self-sufficient displays with partly pluggable sensors that work highly efficiently. Their innovative, patented technologies enable extremely long battery runtimes. This saves on maintenance and provides maximum benefits to the user.

Advantages of MagLine systems ...

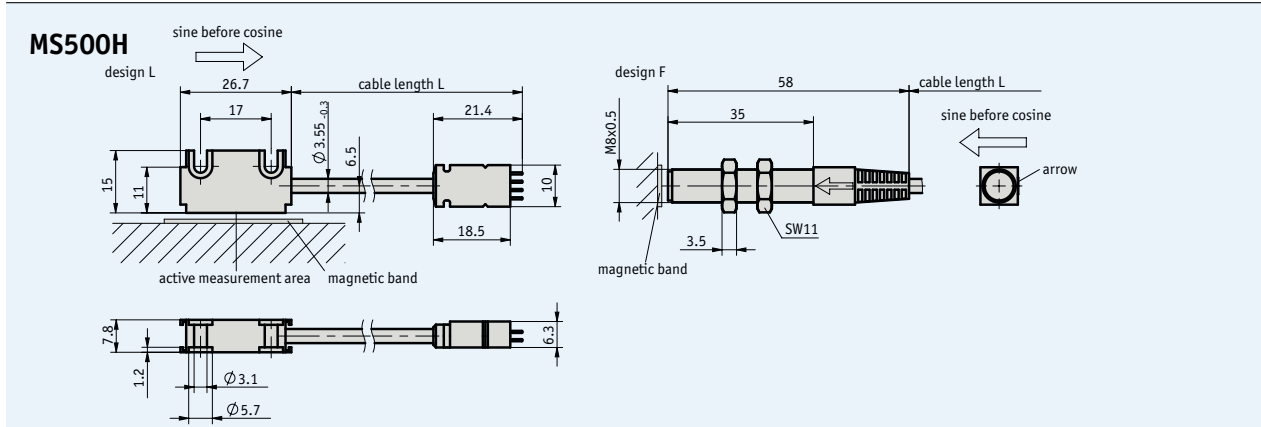
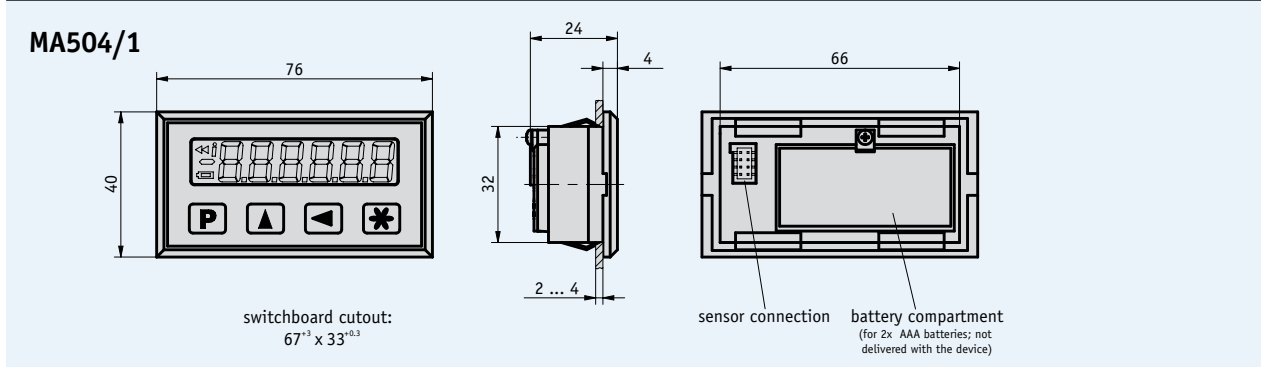
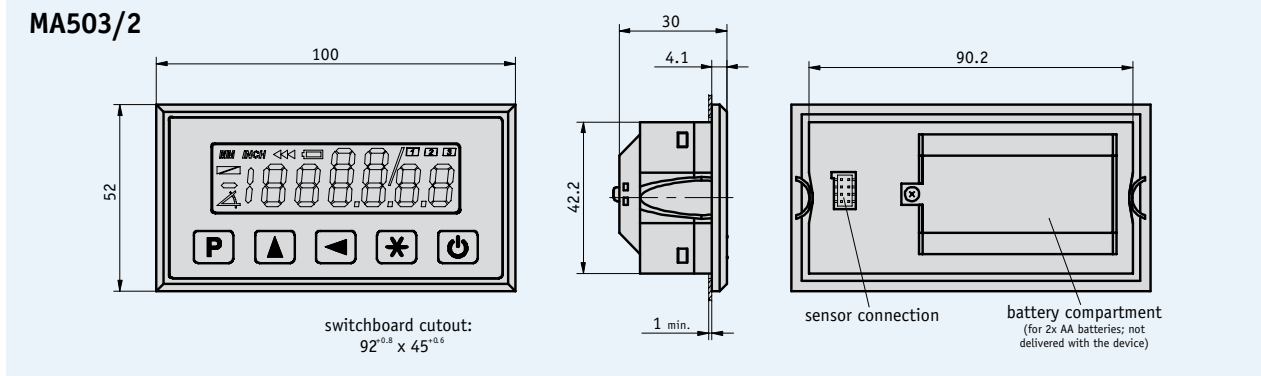
- Patented lowest-power technology with up to 10 years battery life
- Display accuracy up to 0.01 mm
- Large reading distance sensor/band for installation tolerances up to 2 mm
- No measuring errors due to backlash
- Extended function: wireless radio transmission of measured values

... over similar systems

- Superior system accuracy
- Greatly increased battery life
- Optimum readability thanks to high LCD contrast (e.g., backlighting)
- Pluggable sensor
- Large reading distance

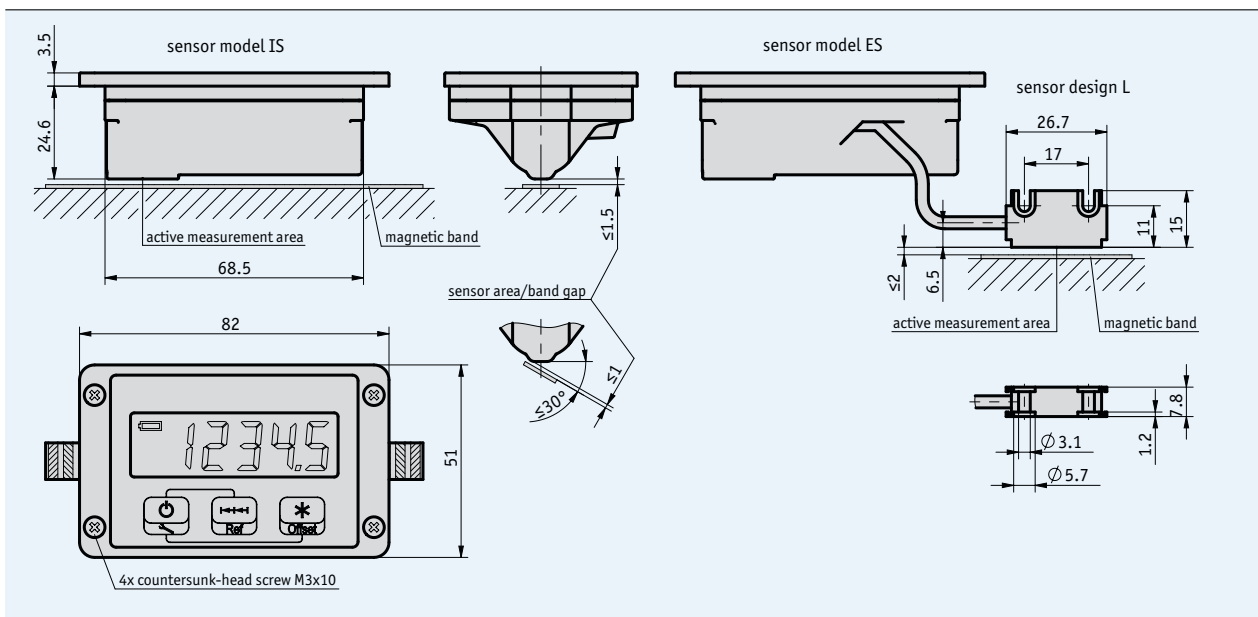
Profile of MA503/2 and MA504/1

- Low-power LCD, 6 1/2-digit (MA504/1) or 7 1/2-digit with inch-fraction display and special characters (MA503/2)
- Direct reference/offset value input
- Max. display accuracy 10 µm or 1/64 inch
- Repeat accuracy ±0.01 mm
- System accuracy 50 µm
- Linear and angle measurement
- User-friendly operation with reset, incremental and correction measurement functions
- Simple, customer-specific adaptation
- Panel-mount and bench-top housings
- MS500H sensor pluggable



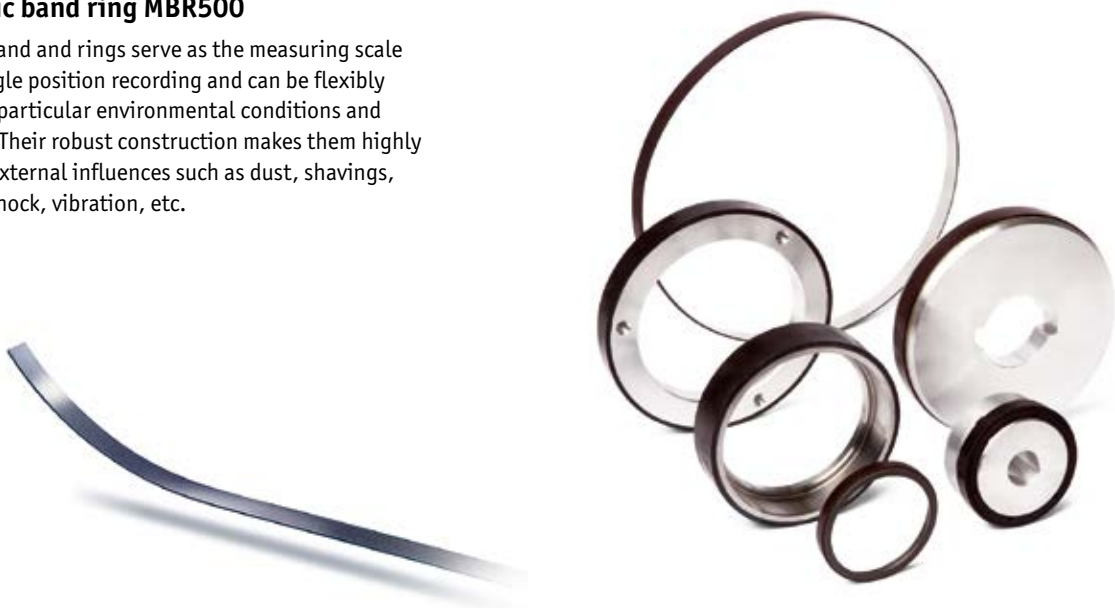
Profile of MA508/1

- Display accuracy max. 0.01 mm
- Repeat accuracy 0.01 mm
- Low-power LCD with integrated sensor
- Supply via integrated battery with up to 10 years of service life
- Freely programmable directly via buttons on the device
- Robust aluminum die-cast housing, small and compact
- Sensor cables up to 5.0 m
- Simple, customer-specific adaptation



Magnetic band MB500/1, Magnetic ring MR500 and Magnetic band ring MBR500

The magnetic band and rings serve as the measuring scale for linear or angle position recording and can be flexibly adapted to the particular environmental conditions and tasks required. Their robust construction makes them highly impervious to external influences such as dust, shavings, humidity, oil, shock, vibration, etc.





We are always there for you.


Whether locally ...

Are you looking for an agency near you? Our website will help you. At www.siko-global.com you will find current contact data of a local German SIKO agency via your postal code. Or just call us and we will give you the contact data you need.

... or internationally.

Subsidiaries and agents all over the world represent SIKO. At www.siko-global.com you will also find a SIKO partner in your area.



Headquarters:
 **SIKO GmbH**
Weihermattenweg 2
D-79256 Buchenbach

Phone
+49 7661 394-0
Fax
+49 7661 394-388
E-Mail
info@siko.de

Subsidiaries:
 **SIKO Products Inc**

 **SIKO Italia S.r.l.**

 **SIKO Magline AG**

 **SIKO International Trading (Shanghai) CO., Ltd.**

 **SIKO Products Asia Pte. Ltd.**

www.siko-global.com

Stay up to date! Follow us at „SIKO-global“

